



Liebert[®] EXM UPS

User Manual

50kVA to 250kVA, 480V, 60Hz

The information contained in this document is subject to change without notice and may not be suitable for all applications. While every precaution has been taken to ensure the accuracy and completeness of this document, Vertiv assumes no responsibility and disclaims all liability for damages result from use of this information or for any errors or omissions.

Refer to local regulations and building codes relating to the application, installation, and operation of this product. The consulting engineer, installer, and/or end user is responsible for compliance with all applicable laws and regulations relation to the application, installation, and operation of this product.

The products covered by this instruction manual are manufactured and/or sold by Vertiv. This document is the property of Vertiv and contains confidential and proprietary information owned by Vertiv. Any copying, use, or disclosure of it without the written permission of Vertiv is strictly prohibited.

Names of companies and products are trademarks or registered trademarks of the respective companies. Any questions regarding usage of trademark names should be directed to the original manufacturer.

Technical Support Site

If you encounter any installation or operational issues with your product, check the pertinent section of this manual to see if the issue can be resolved by following outlined procedures.

Visit <https://www.vertiv.com/en-us/support/> for additional assistance.

TABLE OF CONTENTS

1 Important and Safety Instruction	1
2 Introduction	7
2.1 Operator Control and Display Panel	7
3 Installation	9
3.1 Initial Inspections	9
3.1.1 Storing the UPS and Batteries for Delayed Installation	9
3.2 Preliminary Checks	10
3.2.1 Identification	10
3.3 UPS Location	10
3.3.1 Positioning the UPS	10
3.3.2 Environmental Considerations	10
3.4 Considerations in Moving the Liebert® EXM	10
3.5 Mechanical Considerations	11
3.5.1 Dimensions	12
3.5.2 Clearances	13
3.5.3 Floor Installation	13
3.5.4 Cable Entry	13
3.6 Auxiliary Cabinets	16
3.7 Vertiv™ Liebert® Power Module Assembly	17
3.8 Static Bypass Assembly	18
4 Electrical Connections - UPS	19
4.1 Power Cabling	19
4.1.1 Lug Size and Cable Rating	19
4.2 External Protective Devices	20
4.2.1 Rectifier and Bypass Input Supply of the UPS	20
4.2.2 UPS Output	20
4.2.3 UPS Input Configuration	21
4.2.4 Cabling Guidelines	23
4.2.5 Cable Connections	23
4.2.6 Accessory Fuses and Back-Feed Breaker Wiring	26
4.2.7 Safety Ground	28
4.2.8 Protective Devices	32
4.2.9 Cabling Procedure	32
4.3 Control Cables Details	33
4.3.1 Static Bypass Assembly Features	33
4.4 Dry Contacts	35
4.4.1 Input Dry Contacts	35
4.4.2 Output Dry Contacts	36
4.4.3 Vertiv™ Liebert® MBC Interface	38

- 4.4.4 Battery Cabinet Interface Connectors38
- 4.4.5 EPO Input—Optional 40
- 4.5 Parallel Cable Connections 43
- 5 Installation Drawings 45**
- 6 Option Installation 53**
- 6.1 Vertiv™ Liebert® IntelliSlot Communication 53
- 6.2 Liebert® IntelliSlot Web Card—SNMP/HTTP Network Interface Card 53
 - 6.2.1 Liebert®IntelliSlot Unity Cards—Vertiv™ Liebert® IS-UNITY-LIFE,Vertiv™ Liebert® IS-UNITY-DP 53
- 6.3 Liebert® IntelliSlot Web Card—Optional 54
- 6.4 Liebert® IntelliSlot Relay Card 54
 - 6.4.1 Vertiv™ Liebert® IntelliSlot Relay Card Pin Configuration 55
 - 6.4.2 Vertiv™ Liebert® IntelliSlot Relay Card Jumper Setup 57
- 7 Operation 59**
- 7.1 Touchscreen Control Panel 59
- 7.2 Access Level Log-In 60
- 7.3 Default PIN's 60
- 7.4 Vertiv™ Liebert® EXM Operating Modes 61
- 7.5 UPS Start-up 64
 - 7.5.1 Startup Procedure 64
 - 7.5.2 Start-up in Eco Mode 65
 - 7.5.3 Switching Between UPS Operation Modes 65
- 7.6 Switching the UPS from Normal Operation to Maintenance Bypass 65
- 7.7 Switching the UPS from Maintenance Bypass to Normal Operation 68
- 7.8 De-Energize Vertiv™ Liebert® EXM with Maintenance Bypass Cabinet 69
- 7.9 De-Energize Liebert® EXM without Maintenance Bypass Cabinet 69
- 7.10 Parallel Operations—Determine Control Panel Firmware Version 71
- 7.11 Parallel Operations—Control Panel Firmware Version 1.1 71
 - 7.11.1 De-Energize a Vertiv™ Liebert® EXM Parallel System—Control Panel Firmware Version 1.1 71
 - 7.11.2 Re-Energize a Vertiv™ Liebert® EXM Parallel System—Control Panel Firmware Version 1.1 72
- 7.12 Emergency Shutdown with EPO 72
- 7.13 Auto Restart 72
- 7.14 Reset after Shutdown for Emergency Stop or Other Conditions 73
- 7.15 Battery Protection 73
 - 7.15.1 Battery Undervoltage Warning 73
 - 7.15.2 Battery End-of-Discharge (EOD) Protection 73
- 7.16 Operation 73
- 7.17 Static Bypass Switch 74
- 8 Specifications and Technical Data 75**
- 8.1 Conformity and Standards 75
 - 8.1.1 ENERGY STAR Certification 75
- 8.2 UPS Environmental Requirements 75

8.3 UPS Electrical Characteristics	76
9 Maintenance	81
9.1 Safety Precautions	81
9.2 Limited Life Components	83
9.3 Routine Maintenance	83
9.3.1 Record Log	84
9.3.2 Air Filters	84
9.3.3 Torque Requirements	86
9.4 Detecting Trouble	86
9.5 Reporting a Problem	86
9.6 Corrective Actions	87
9.7 Recommended Test Equipment	87
Appendices	89
Appendix A: Hazardous Substances or Elements Announcement	89
Appendix B: UPS Status Messages	91

This page intentionally left blank

1 Important and Safety Instruction

Save these Instruction

This manual contains important instructions that should be followed during installation of the Vertiv™ Liebert® EXM.

Read this manual thoroughly, paying special attention to the sections that apply to your installation, before working with the UPS. Retain this manual for use by installing personnel.


A properly trained and qualified electrical contractor should oversee the installation of the equipment.

The Liebert® EXM cannot be put into operation until it is commissioned by the manufacturer or authorized engineer. Otherwise, human safety may be endangered and damage to the UPS will not be covered by the warranty.

The Liebert® EXM is designed for commercial and industrial uses and cannot be used as life support equipment.



WARNING! Risk of moving heavy equipment and electric shock. Can cause equipment damage, injury and death. Exercise extreme care when handling UPS cabinets to avoid equipment damage or injury to personnel. The Liebert® EXM's weight ranges from 748 to 1244 lb (339 to 564kg).

Determine unit weight and locate center of gravity symbols before handling the UPS.  Test lift and balance the cabinet before transporting it. Never tilt equipment more than 15 degrees from vertical. In case of fire involving electrical equipment, use only carbon dioxide fire extinguishers or those approved for use in fighting electrical fires.

Extreme caution is required when performing maintenance. Be constantly aware that the UPS system contains high DC as well as AC voltages.

Check for voltage with both AC and DC voltmeters prior to making contact.



AVERTISSEMENT! Risque lors du déplacement de l'équipement lourd et de décharge électrique pouvant entraîner des dommages matériels, des blessures et même la mort.

Faites preuve d'une extrême prudence lors de la manutention des armoires ASC afin d'éviter de les endommager ou de blesser le personnel. L'armoire Liebert® EXM pèse de 748 à 1244 lb (de 339 à 564 kg).

Repérez les symboles de centre de gravité avant déplacer l'armoire ASC. Faites des essais de levage et d'équilibre avant de transporter l'armoire. N'inclinez jamais l'équipement à plus de 15 degrés à la verticale. En cas d'incendie associé à du matériel électrique, n'utilisez que des extincteurs à dioxyde de carbone ou homologués pour la lutte contre les incendies d'origine électrique.

Les opérations d'entretien requièrent une extrême prudence.

Soyez toujours conscient du fait que le système ASC contient des tensions c.c. et c.a. élevées. Vérifiez les tensions avec des voltmètres c.a. et c.c. avant d'établir tout contact.



WARNING! Risk of electric shock. Can cause equipment damage, injury and death.

As with other types of high power equipment, dangerous voltages are present within the UPS and battery enclosure even after input power has been disconnected. The risk of contact with these voltages is minimized as the live component parts are housed behind a metal panel. Further internal safety screens make the equipment protected to IP20 standards. Never remove panels or covers or open doors that will expose internal components to contact.

Read and follow all warnings, cautions and safety and operating instructions to avoid serious injury or death from electric shock. No risk exists to any personnel when operating the equipment in the normal manner, following the recommended operating procedures.

All equipment maintenance and servicing procedures involve internal access and should be carried out only by trained personnel.



AVERTISSEMENT! Risque de décharge électrique pouvant entraîner des dommages matériels, des blessures et même la mort.

À l'instar des autres types d'équipement haute puissance, des tensions dangereuses sont présentes à l'intérieur de l'armoire ASC et du châssis de batteries même après le débranchement de l'alimentation d'entrée. Le risque de contact avec ces tensions est diminué, car les parties de composants sous tension sont abritées derrière un panneau métallique. D'autres écrans de sécurité internes protègent l'équipement en conformité avec les normes IP20. Ne retirez jamais les panneaux ou les couvercles et n'ouvrez pas les portes donnant accès aux composants internes avec lesquels vous pouvez entrer en contact.

Veuillez lire et suivre l'ensemble des avertissements, des mises en garde et des instructions de sécurité et de fonctionnement afin d'éviter des blessures graves, voire la mort, pouvant être causées par une décharge électrique. Il n'y a aucun risque pour le personnel lorsque l'équipement est utilisé normalement, en suivant les procédures de fonctionnement recommandées.

Ground Leakage Current



CAUTION: Risk of electric shock from high leakage current. Can cause injury, property damage and death.

EARTH CONNECTION IS ESSENTIAL BEFORE CONNECTING THE INPUT SUPPLY.

Earth leakage current exceeds 3.5 mA and is less than 1000 mA.

Transient and steady-state earth leakage currents, which may occur when starting the equipment, should be taken into account when selecting instantaneous RCCB or RCD devices.

Residual Current Circuit Breakers (RCCBs) must be selected sensitive to DC unidirectional pulses (Class A) and insensitive to transient current pulses.

Note also that the earth leakage currents of the load will be carried by this RCCB or RCD. This equipment must be earthed in accordance with the local electrical code of practice.



WARNING! Risk of electric shock. Can cause injury, property damage and death.

Under typical operation and with all UPS doors closed, only normal safety precautions are necessary. The area around the UPS system should be kept free of puddles of water, excess moisture and debris.

Special safety precautions are required for procedures involving handling, installation and maintenance of the UPS system. Observe all safety precautions in this manual before handling or installing the UPS system as well as during all maintenance procedures.

This equipment contains several circuits that are energized with high voltage. Only test equipment designed for troubleshooting should be used. This is particularly true for oscilloscopes. Always check with AC and DC voltmeters to ensure safety before making contact or using tools. Even when the power is turned Off, dangerously high electric charges may exist within the UPS.

All power and control wiring should be installed by a qualified electrician. All power and control wiring must comply with the NEC and applicable local codes.

ONLY qualified service personnel should perform maintenance on the UPS system. When performing maintenance with any part of the equipment under power, service personnel and test equipment should be standing on rubber mats. The service personnel should wear insulating shoes for isolation from direct contact with the floor (earth ground).

Never work alone, even if all power is removed from the equipment. A second person should be standing by to assist and summon help in case an accident should occur.



AVERTISSEMENT! Risque de décharge électrique pouvant causer des blessures, des dommages matériels et même la mort.

Les précautions de sécurité habituelles suffisent lorsque le système ASC est en mode de fonctionnement normal et que toutes les portes sont fermées. La zone entourant le système ASC doit être exempte de flaques d'eau, d'humidité excessive et de débris.

Des précautions de sécurité spéciales sont requises pour les procédures associées à la manutention, à l'installation et à l'entretien du système ASC. Observez toutes les précautions de sécurité décrites dans le présent manuel avant de manipuler ou d'installer le système ASC, ainsi que pendant toutes les procédures d'entretien.

Cet équipement comporte plusieurs circuits à haute tension. Seuls des équipements d'essai conçus pour le dépannage doivent être utilisés. Cette mise en garde couvre notamment les oscilloscopes. Utilisez toujours des voltmètres c.a. et c.c. pour vérifier les tensions avant d'établir un contact ou d'utiliser des outils. Des tensions dangereusement élevées peuvent demeurer dans le système ASC même une fois l'alimentation coupée.

Tous les câbles d'alimentation et de contrôle doivent être installés par un électricien qualifié. Tous les câbles d'alimentation et de contrôle doivent être conformes au Code national de l'électricité des États- Unis (NEC) et celui du Canada, ainsi qu'aux codes locaux en vigueur.

L'entretien du système ASC ne doit être confié qu'à des professionnels qualifiés.

Les responsables de l'entretien et l'équipement d'essai doivent reposer sur des tapis de caoutchouc lors de toute intervention sur une pièce d'équipement sous tension. Les responsables de l'entretien doivent porter des chaussures isolantes pour prévenir tout contact direct avec le plancher.

Ne travaillez jamais seul, même si toute l'alimentation d'entrée est coupée de l'équipement. Une seconde personne devrait toujours être présente pour porter assistance ou chercher de l'aide en cas d'accident.

NOTICE

Risk of improper ground connection. Can cause equipment damage.

Ground connection is essential before connecting the input supply. This equipment must be grounded in accordance with local electrical codes. Maximum load must not exceed that shown on the UPS rating label.

NOTICE

Risk of improper electromagnetic shielding. Can cause radio communication interference.
This unit complies with the limits for a Class A digital device, pursuant to Part 15 Subpart J of the FCC rules. These limits provide reasonable protection against harmful interference in a commercial environment. This unit generates, uses and radiates radio frequency energy and, if not installed and used in accordance with this instruction manual, may cause harmful interference to radio communications. This unit is not designed for use in a residential area. Operation of this unit in a residential area may cause harmful interference that the user is solely responsible for correcting.



WARNING! Failure to follow adequate grounding procedures can result in electric shock hazard to personnel, or the risk of fire, should a ground fault occur.

All operations described in this section must be performed by properly trained and qualified electricians or technical personnel. If any difficulties are encountered, contact Vertiv. See the back page of this manual for contact information.



AVERTISSEMENT! Le non-respect des procédures de mise à la terre peut entraîner des risques d'électrocution du personnel, ou des risques d'incendie en cas de défectuosité de la mise à la terre.

Toutes les opérations décrites dans cette section ne doivent être effectuées que par des électriciens ou des techniciens professionnels dûment formés et qualifiés . En cas de difficultés, communiquez avec Vertiv. Pour obtenir les renseignements de contact, consultez la dernière page de ce manuel.

Notice

Risk of improper ground connection. Can cause equipment damage.
Ground connection is essential before connecting the input supply. This equipment must be grounded in accordance with local electrical codes. Maximum load must not exceed that shown on the UPS rating label.

Notice

Risk of improper electromagnetic shielding. Can cause radio communication interference.
This unit complies with the limits for a Class A digital device, pursuant to Part 15 Subpart J of the FCC rules. These limits provide reasonable protection against harmful interference in a commercial environment. This unit generates, uses and radiates radio frequency energy and, if not installed and used in accordance with this instruction manual, may cause harmful interference to radio communications. This unit is not designed for use in a residential area. Operation of this unit in a residential area may cause harmful interference that the user is solely responsible for correcting.

Glossary of Symbols



Risk of electrical shock



Indicates caution followed by important instructions



AC Input



AC Output



Requests the user to consult the manual



Indicates the unit contains a valve-regulated lead acid battery



Recycle



DC Voltage



AC Voltage



Equipment grounding conductor



Bonded to ground

This page intentionally left blank

2 Introduction

The Vertiv™ Liebert® EXM UPS can be configured as either a fixed-capacity or scalable, transformer-free, online uninterruptible power system with 480V input and 480V output capability. The Liebert® EXM operates with a 60Hz input.

When configured for scalability, the UPS's capacity can be increased in 50kVA increments. Based on the configuration, a power module can be set to a redundant operation mode. Contact Vertiv- Services about adding capacity.

Optional Maintenance Bypass cabinets are available.

The Liebert® EXM provides continuous, high-quality AC power to business-critical equipment, such as telecommunications and data processing equipment. The Liebert® EXM supplies power free of the disturbances and variations in voltage and frequency common to utility power, which is subject to brownouts, blackouts, surges and sags.

The Liebert® EXM utilizes the latest in high-frequency, double-conversion pulse width modulation (PWM) technology and fully digital controls to enhance its reliability and increase the ease of use.

The 50-250kVA/kW Liebert® EXM requires external batteries to support the load when utility power is not present. For ancillary cabinets, refer to [Auxiliary Cabinets](#) on page 16 .

2.1 Operator Control and Display Panel

Information about using the UPS control panel is detailed in SL-26200, available at Vertiv's- Web site www.vertiv.com.

This page intentionally left blank

3 Installation

This section describes the Vertiv™ Liebert® EXM's environmental requirements and mechanical considerations that must be taken into account when planning the positioning and cabling of the UPS equipment.

Because each site is unique, this section presents a guide to general procedures and practices that should be observed by the installing engineer, rather than step-by-step installation instructions.

NOTICE

Risk of improper installation. Can cause equipment damage.

Do not apply electrical power to the UPS equipment before the commissioning engineer arrives at the installation site. The UPS must be installed by a properly trained and qualified engineer in accordance with the information contained in this chapter. All the equipment not referred to in this manual is shipped with details of its own mechanical and electrical installation information.

NOTE: Three-phase, three-wire input power is required.

NOTE: Input power must be supplied to the Liebert® EXM from a properly grounded Wye source. The Liebert® EXM is not for use with impedance grounded systems, corner-grounded systems or high-leg Delta systems. For these applications, an isolation transformer must be installed between the input power and the Liebert® EXM.

3.1 Initial Inspections

1. While the Liebert® EXM and ancillary cabinets are still on the truck, inspect the equipment and shipping container for any signs of damage or mishandling. Do not attempt to install the system if damage is apparent. If any damage is noted, file a damage claim with the shipping agency immediately and contact Vertiv- Services at 800-543-2378 to inform them of the damage claim and the condition of the equipment.
2. Compare the contents of the shipment with the bill of lading. Report any missing items to the carrier and your local Vertiv Representative immediately.
3. Check the product label on the back of front door and confirm the contents match the UPS model, capacity and main parameters that were ordered.

3.1.1 Storing the UPS and Batteries for Delayed Installation

If the Liebert® EXM system will not be installed immediately, it must be stored indoors in a clean, dry and cool location (see [UPS Environmental Requirements](#) on page 75). If the UPS includes batteries, either internally or in a battery cabinet, the batteries' requirements will dictate the storage conditions. Batteries should be unpacked, installed and charged as soon as possible after delivery.

NOTICE

Risk of failure to properly charge batteries. Can cause permanent damage to batteries and void the warranty.

Batteries will self-discharge during storage. Batteries must be recharged as recommended by the battery manufacturer. A notice of "Charge Before Date" is affixed to each unit that has batteries inside. The "Charge Before Date" is calculated based on the batteries being stored at 77°F (25°C). Storage at a higher temperature will increase the rate of self-discharge, requiring earlier recharge. Consult the battery manufacturer on how to determine when the batteries need to be recharged.

3.2 Preliminary Checks

3.2.1 Identification

The equipment supplied has an identification tag on the back of the main door listing the type and size of the UPS.

3.3 UPS Location

3.3.1 Positioning the UPS

Choose a location for the UPS that offers:

- Easy connection to inputs, outputs and auxiliary equipment.
- Enough space to service the UPS.
- Air circulation sufficient to expel heat produced by UPS.
- Protection against moisture and excessive humidity.
- Protection against dust and other particulate matter.
- Compliance with fire prevention regulations and practices.
- Operating environment temperature of 74 °F-80°F (23 °C-27°C) for maximum battery life.

3.3.2 Environmental Considerations

Before installing the Vertiv™ Liebert® EXM, verify that the UPS room satisfies the environmental conditions stipulated in [UPS Environmental Requirements](#) on page 75 , paying particular attention to the ambient temperature and air exchange system.

The UPS unit should be installed in a cool, dry, clean-air environment with adequate ventilation to keep the ambient temperature within the specified operating range 32°F to 104°F (0°C to 40°C).

For optimal UPS system performance and service life, maintain the operating temperature within the range of 74-80°F, (23-27°C).

The Liebert® EXM is cooled by internal fans. Cooling air enters the unit through the front of the unit and is exhausted out the top. To permit proper air flow and prevent overheating, do NOT block or cover the ventilation openings or blow air down onto the unit. The UPS requires 24 in.(670mm) ventilation clearance above the unit.

See [Table 8.14](#) on page 79 for details on heat dissipation.

3.4 Considerations in Moving the Liebert® EXM

Ensure that the UPS weight is within the designated surface weight loading (lb./ft² or kg/cm²) of any handling equipment. See [Table 8.3](#) on page 76 for the weights of various units.

The Liebert® EXM may be rolled on its casters for short distances only. For longer distances, move the UPS with a forklift or similar equipment to ease the relocation and to reduce vibration.



WARNING! Risk of moving heavy unit. Can cause property damage, injury and death. Ensure that any equipment that will be used to move the Vertiv™ Liebert® EXM has sufficient lifting capacity. The Liebert EXM's weight ranges from 748 to 1244lb.(339 to 564kg). See **Table 8.3** on page 76 for the weight of each unit. The UPS presents a tipping hazard. Do not tilt the Liebert® EXM more than 15 degrees from vertical. The UPS is fitted with casters-Take care to prevent movement when unbolting the equipment from its shipping pallet. Ensure adequate personnel and lifting equipment are available when taking the Liebert® EXM off its shipping pallet.



AVERTISSEMENT! Le poids élevé de l'appareil peut entraîner des dommages matériels, des blessures et même la mort. Veillez à ce que les équipements utilisés pour déplacer le système EXM de Liebert® possèdent une capacité nominale suffisante. Le poids du système EXM de Liebert® varie entre 339 et 564 kg (748 to 1422 lb) sans les batteries. Reportez-vous au **Table 8.3** on page 76 pour connaître le poids de l'appareil avec les batteries.

Le système ASC présente un risque de renversement. N'inclinez pas le système EXM de Liebert® à plus de 15 degrés de la verticale.

Comme le système ASC est équipé de roulettes, veillez à éviter les mouvements involontaires lorsque vous déboulonnez l'équipement de sa palette d'expédition. Veillez à ce qu'un personnel approprié et un dispositif de levage soient disponibles lorsque vous retirez le système EXM de Liebert® de la palette d'expédition.



WARNING! Risk of heavy unit tipping over while being moved. The casters are strong enough for movement across even surfaces only. Casters may fail if they are subjected to shock loading, such as being dropped or rolled over holes in the floor or obstructions. Such failure may cause the unit to tip over, injuring personnel and damaging the equipment.



AVERTISSEMENT! Le centre de gravité élevé de l'appareil présente un risque de renversement lors des déplacements, peut entraîner des dommages matériels, des blessures et même la mort.

Les roulettes sont suffisamment résistantes pour le déplacement sur des surfaces planes uniquement. Les roulettes peuvent être endommagées si vous les soumettez à des impacts, notamment en cas de chute ou de passage sur des obstacles ou trous dans le plancher. Une telle défaillance peut causer le renversement de l'appareil, qui risque de blesser le personnel et d'endommager l'équipement.

Final Positioning

When the equipment has been finally positioned, ensure that the adjustable stops are set so that the UPS will remain stationary and stable (see [Installation Drawings](#) on page 45).

The Liebert® EXM and its auxiliary cabinets must be installed on a concrete or equivalent, non-resilient floor.

3.5 Mechanical Considerations

The Liebert® EXM is constructed with a steel frame and removable panels. Top and side panels are secured to the chassis by screws. The doors may be opened for access to power connections bars, auxiliary terminals blocks and power switches.

The UPS comes with an Operator Control Panel that provides basic operational status and alarm information. The cabinet houses the power components. Cooling is provided by internal fans. The unit sits on four casters. Adjustable stops are provided to prevent the UPS from moving once it has been moved to its final position.

The Input/Output Section (see **Figure 3.1** below) provides the additional space to support wiring and conduit landing for the 250kVA model of the Vertiv™ Liebert® EXM.



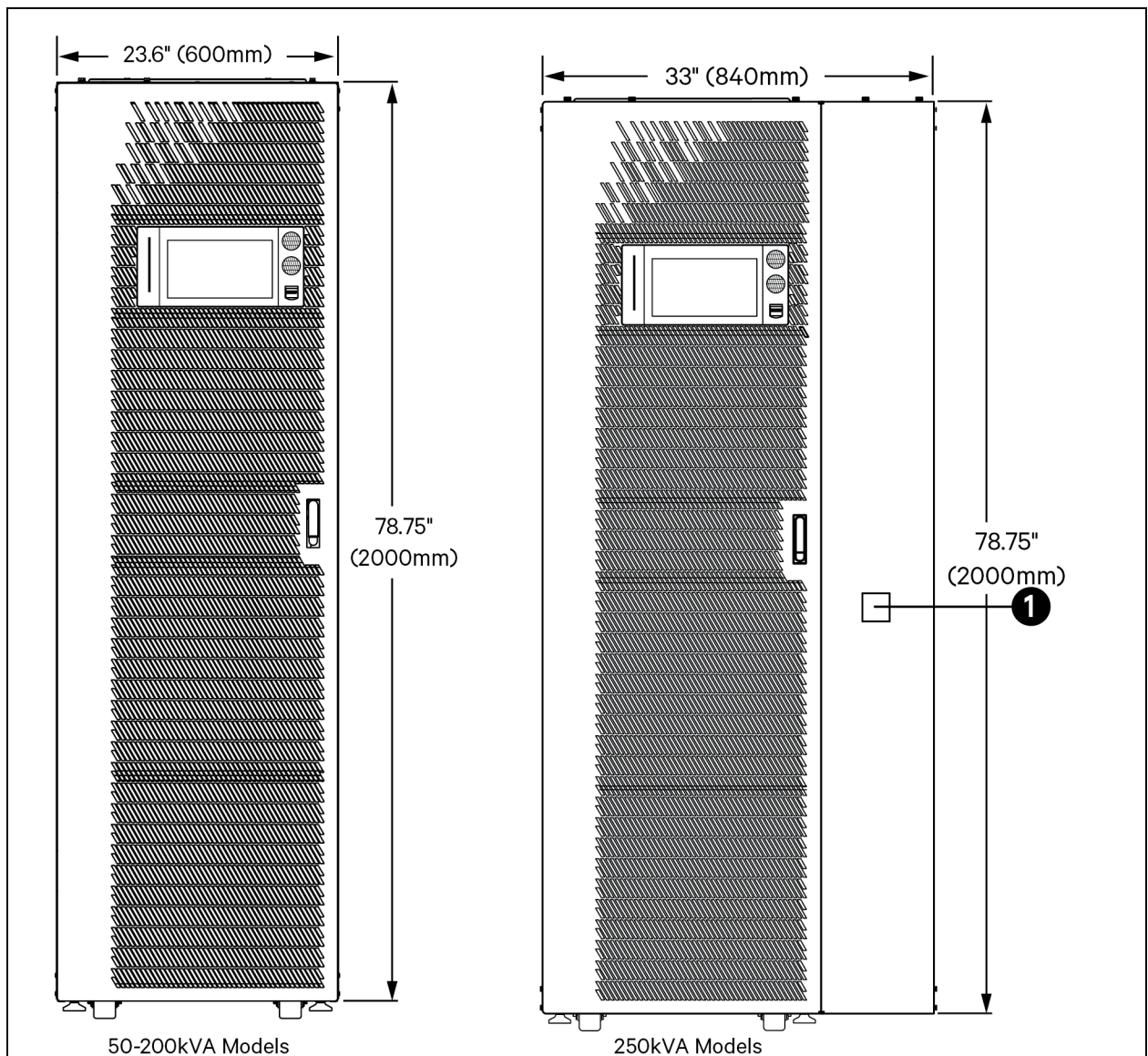
WARNING! Risk of heavy unit tipping over while being moved. Can cause property damage, injury and death.



AVERTISSEMENT! Le centre de gravité élevé des appareils présente un risque de renversement lors des déplacements, peut entraîner des dommages matériels, des blessures et même la mort.

3.5.1 Dimensions

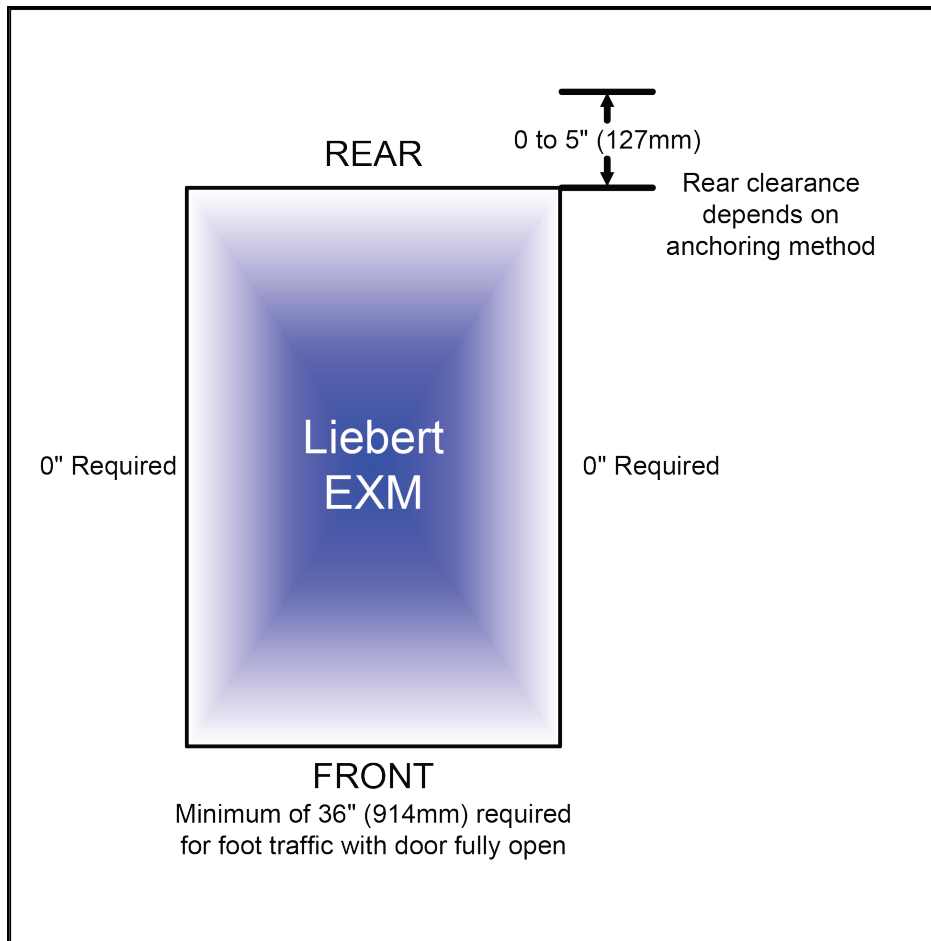
Figure 3.1 UPS Dimensions



Item	Description
1	I/O Section

3.5.2 Clearances

Figure 3.2



NOTE: Minimum of 36" (914mm) required for foot traffic with door fully open.

Provide at least the minimum clearance required by NEC on all sides of the UPS, including 36 in.(914mm) in front, to permit routine tightening power terminations within the UPS and free passage of personnel with the door fully opened. Depending on the floor anchoring system used, up to 5 in.(127mm) may be required in the rear of the UPS.

There are no ventilation grilles on the sides or back of the UPS.

Leave a minimum of 24 in.(670mm) between the top of the UPS frame and the ceiling to permit adequate air circulation above the unit. Vertiv- recommends against using air conditioning or other systems that blow air onto the top of the unit.

3.5.3 Floor Installation

If the Vertiv™ Liebert® EXM is to be placed on a raised floor, the UPS should be mounted on a pedestal that will support the equipment point loading. Refer to the bottom view in **Figure 3.1** on the previous page to design this pedestal.

3.5.4 Cable Entry

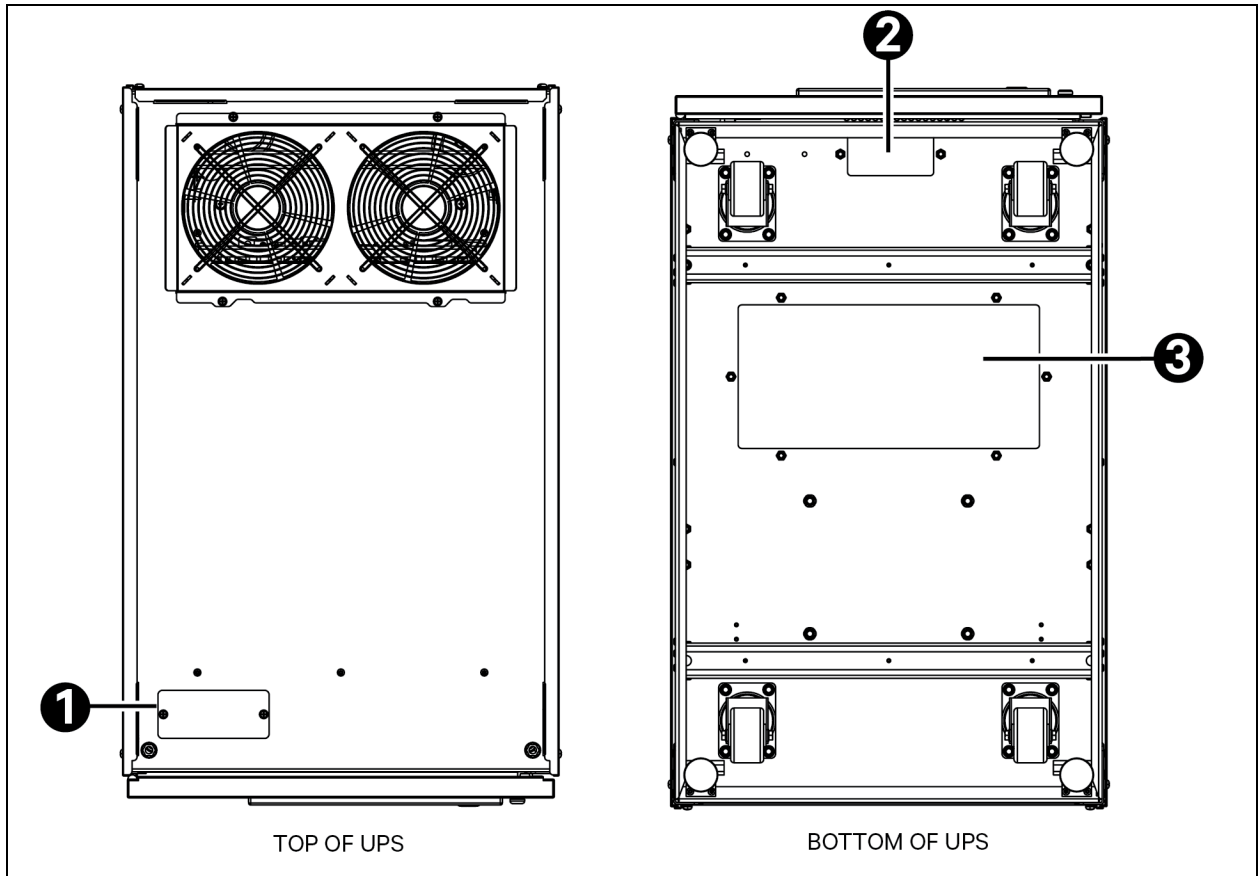
Cables can enter the Liebert® EXM from the top or bottom for the 250kVA; cable entry is bottom only for the 50-200kVA through removable metal plates.

Some plates have factory-punched holes and others are designed to allow the personnel to punch holes for fitting and securing the conduit. Once the conduit holes are punched, these plates should be reattached to the UPS. The conduit size and wiring method must be in accordance with all local, regional and national codes and regulations, including NEC ANSI/NFPA 70.

The UPS must be accessible from the front to allow personnel to complete the cable connections and make necessary adjustments.

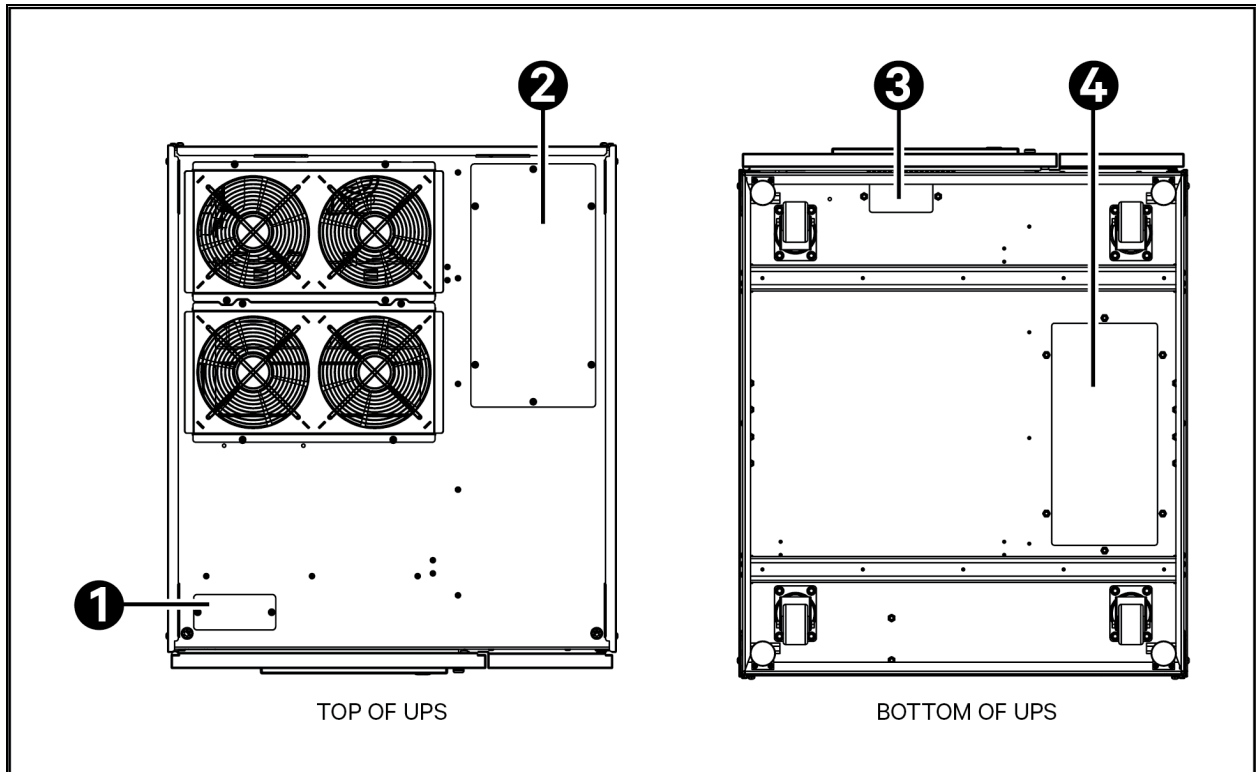
NOTE: When installing the UPS, the customer must provide a disconnect with overcurrent protection at the output of the UPS.

Figure 3.3 Cable Entry Locations, 50-200kVA Model



Item	Description
1	Top Control Cable Entry
2	Bottom Control Cable Entry
3	Bottom Power Cable Entry

Figure 3.4 Cable Entry Locations, 250kVA Model



Item	Description
1	Top Control Cable Entry
2	Top Power Cable Entry
3	Bottom Control Cable Entry
4	Bottom Power Cable Entry

3.6 Auxiliary Cabinets

The Vertiv™ Liebert® EXM frame consists of a single cabinet housing the UPS components. It does not accommodate internal batteries. The UPS requires external battery cabinets for extended run time.

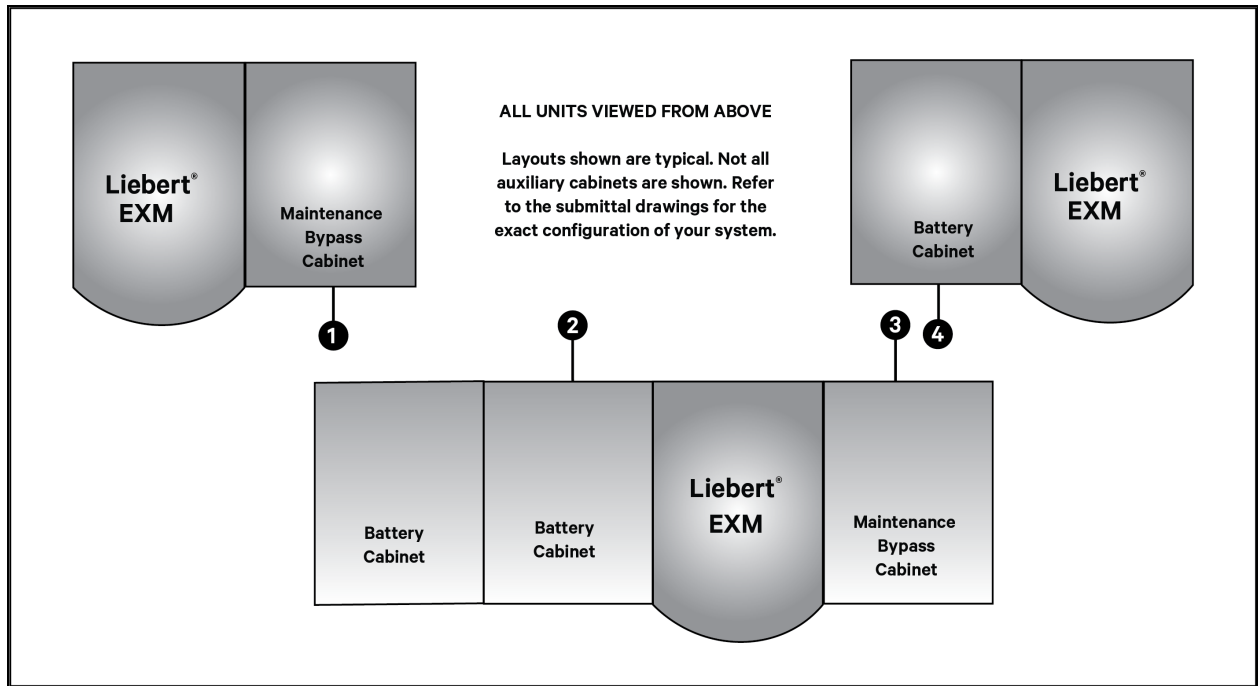
Battery Cabinets- Optional battery cabinets are available for each Liebert® EXM model to provide extended run time. The battery cabinets are designed to be bolted to the left side of the UPS (see **Figure 3.5** below). Refer to SL-25656, the Liebert® EXM Battery Cabinet Manual, for details. Battery cabinet wiring is specified for optimal performance of the system.

Liebert® EXM 480V supports Lithium Ion battery cabinets from multiple manufactures including Vertiv's own HPL Lithium-Ion Battery Energy Storage System.

Maintenance Bypass Cabinet- Optional Vertiv™ Liebert® bypass cabinets are available. These cabinets house the components necessary to provide an external wraparound maintenance bypass switch for servicing the UPS. Liebert® bypass cabinets are designed to be bolted to the right side of the UPS (see **Figure 3.5** below). Refer to SL-26103, the Vertiv™ Liebert® EXM Maintenance Bypass Cabinet manual for further details.

System Composition - A UPS system can comprise a number of optional equipment cabinets, depending on the system design requirements-e.g., UPS cabinet, External Battery Cabinet and External Bypass Cabinet. All cabinets used will be the same height and will be designed to be positioned side-by-side to form an aesthetically appealing equipment suite.

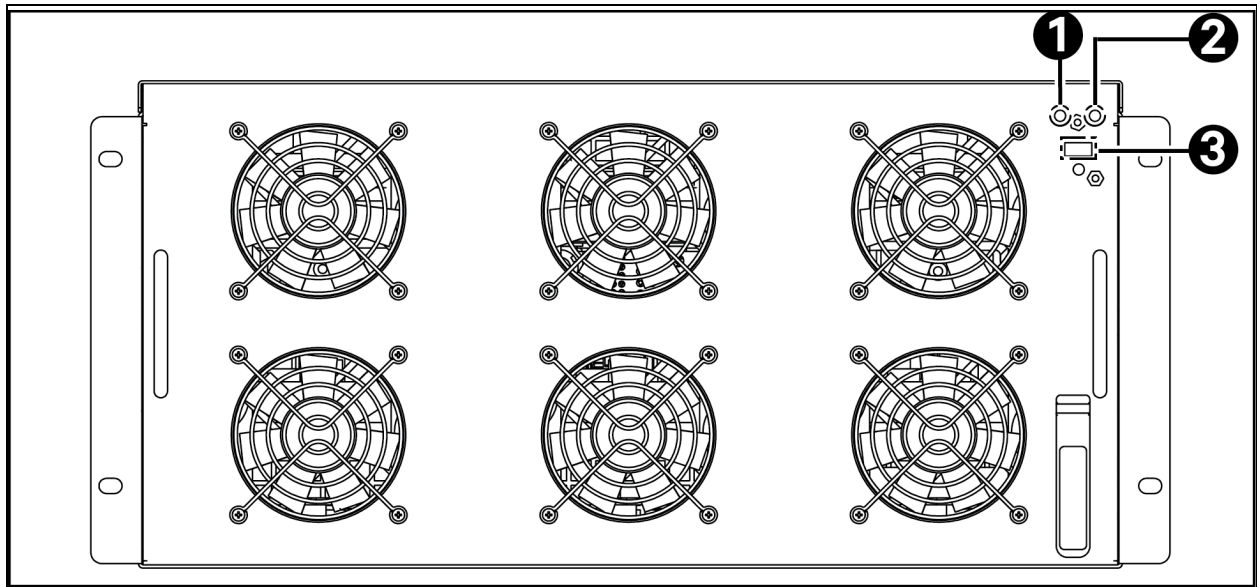
Figure 3.5 Cabinet Arrangement



Item	Description
1	Liebert® EXM connected only to the Liebert® MBC. (The Liebert® MBC must be on right side of the Liebert® EXM.)
2	Liebert® EXM connected to the Battery Cabinets. (The Battery Cabinets must be on the left side of the Liebert® EXM).
3	Liebert® EXM Connected to the Liebert® MBC. (The Liebert® MBC must be on right side of Liebert® EXM).
4	Liebert® EXM connected to the Battery Cabinets. (The Battery Cabinets must be on the left side of the Liebert® EXM)

3.7 Vertiv™ Liebert® Power Module Assembly

Figure 3.6 Liebert® Power Module Assembly Indicators and Controls



Item	Description
1	Fault LED
2	DIP Switches
3	Run LED

NOTE: See [Figure 4.10](#) on page 34 through [Figure 4.13](#) on page 37 for details.

The Run LED is illuminated green when the Liebert® Power Module Assembly is operating normally.

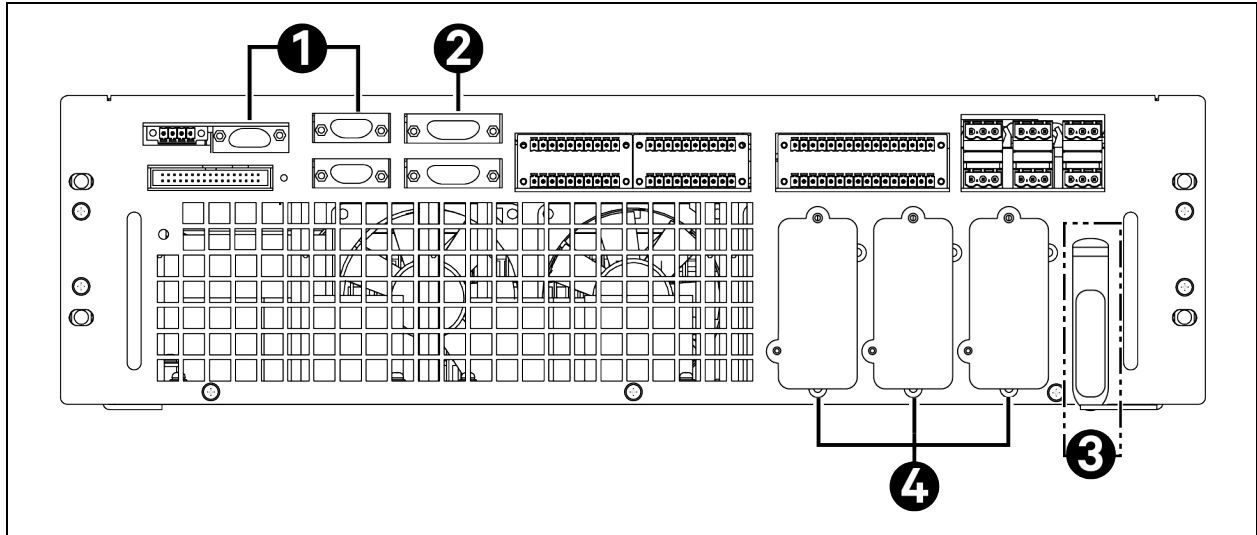
The Fault LED will illuminate red when the Liebert® Power Module Assembly has a problem.

Table 3.1 LED Indications

LED Status	Indication
Run LED (Green)	
Flashing Green	The inverter is starting, but has no output yet.
Constant Green	The inverter has started to supply power.
OFF	The inverter has not started up.
Fault LED (Red)	
Constant Red	Auxiliary power failure (15V or 24V), rectifier overtemperature, rectifier failure (including battery SCR short circuit), battery converter failure, soft start failure, main circuit back feed, abnormal input current, inverter failure, output short circuit, bypass SCR short circuit fault, inverter relay short circuit fault, abnormal bus voltage, module not ready, module ID out of range and duplicated module ID.
Flashing Red	Charger failure, abnormal main circuit voltage, abnormal main circuit frequency, main circuit undervoltage, main circuit reverse phase, battery unavailable, reverse battery, input zero-loss, current sharing failure, module overload, inverter relay disconnection fault, bypass SCR disconnection fault and input fuse blown.
OFF	No above failures or alarms.

3.8 Static Bypass Assembly

Figure 3.7 Static Bypass Assembly Connections



Item	Description
1	DB9
2	DB15
3	Ready Switch
4	Vertiv™ Liebert® IntelliSlot Bays 1, 2, 3

NOTE: See [Figure 4.11](#) on page 34 - [Figure 4.14](#) on page 39 for details.

The Control Module has three Liebert® IntelliSlot interface card bays and connections for optional ancillary cabinets and for other options. Refer to [Figure 4.10](#) on page 34 through [Figure 4.13](#) on page 37.

4 Electrical Connections - UPS

The UPS requires both power and control cabling once it has been mechanically installed. All control cables must run separate from power cables in metal conduits or metal ducts that are electrically bonded to the metalwork of the cabinets to which they are connected. All control cabling must be shielded.



WARNING! Risk of electrical shock. Can cause property damage, injury and death.

Before connecting input power to the Vertiv™ Liebert® EXM, ensure that you are aware of the location and operation of the overcurrent protection devices that connect the UPS input/bypass supply to the power distribution panel.

De-energize and lockout or tagout all incoming high- and low-voltage power circuits before installing cables or making any electrical connections.



AVERTISSEMENT! Risque de décharge électrique pouvant entraîner des dommages matériels, des blessures et même la mort.

Avant de procéder au branchement de l'alimentation d'entrée du système EXM de Liebert®, veillez à prendre connaissance de l'emplacement et du fonctionnement des dispositifs de protection de surintensité qui raccordent l'alimentation d'entrée ou de dérivation du système ASC au panneau de distribution électrique. Coupez l'alimentation et appliquez le verrouillage ou l'étiquetage à tous les circuits d'alimentation haute tension et basse tension avant d'installer les câbles ou d'effectuer tout autre branchement électrique.

4.1 Power Cabling

4.1.1 Lug Size and Cable Rating

The main factors affecting the choice and size of cable are voltage, current (also taking into account overcurrent), room temperature and conditions of installation of the cable. Refer to ANSI/NFPA 70.

The power cables of the system must be sized with respect to the following description:

- **UPS Input Cables** - The UPS input cables must be sized for the maximum input current, including the maximum battery recharge current, given in **Table 8.4** on page 76 and **Table 8.5** on page 76 with respect to the unit rating and the input AC voltage.
- **UPS Bypass and Output Cables** - The bypass and output cables must be sized for the nominal output current, given in **Table 8.6** on page 77 and **Table 8.7** on page 77, with respect to the unit rating and the output AC voltage.
- **Battery Cables** - See the Liebert® EXM External Battery Cabinet manual, SL-25656, for battery installation guidelines and instructions. The manual ships with the battery cabinet and is available at Liebert's Web site: www.vertiv.com.

NOTE: Table 8.4 on page 76 gives nominal currents for determining the size of UPS power cables. Other important factors to consider include cable route length and coordination with protective devices.

The power cables can be sized to suit the UPS unit rating according to **Table 8.4** on page 76.

Torque Requirements

Refer to **Table 4.1** on the next page and **Table 4.2** on the next page for lug size and torque requirements.

Table 4.1 Busbars (for Power Wiring)

Bolt Shaft Size	Lb-in (Nm)
1/2"(M12)	428(48)

Table 4.2 Terminal Block with Compression Lugs (for Control Wiring)

AWG Wire Size or Range	Lb-in (Nm)
#22 - #14	3.5 to 5.3 (0.4 to 0.6)

4.2 External Protective Devices

For safety concerns, it is necessary to install external circuit breakers or other protective devices for the input AC supply of the UPS system. This section provides generic practical information for qualified installation engineers. The installation engineers should be knowledgeable about regulatory wiring standards and the equipment to be installed.

To reduce the risk of fire, connect only to a circuit provided with branch circuit overcurrent protection in accordance with NEC ANSI/NFPA 70.

4.2.1 Rectifier and Bypass Input Supply of the UPS

Overcurrents

Install suitable protective devices in the distribution unit of the incoming mains supply, considering the power cable current-carrying capacity and overload capacity of the system. Generally, the magnetic circuit breaker with IEC60947-2 tripping curve C (normal) at the 125% of the nominal current listed in **Table 8.4** on page 76 is recommended.

Split bypass: In case a split bypass is used, separate protective devices should be installed for the rectifier input and bypass input in the incoming mains distribution panel. A shunt trip coil of 480V must be installed in the bypass input breaker if the system does not include a Liebert® Bypass Cabinet. Refer to **Figure 4.1** on the facing page for more details.

Earth Leakage, RCD Devices

Any residual current detector (RCD) installed upstream of the UPS input supply:

- Must be sensitive to DC unidirectional pulses (Class A)
- Must be insensitive to transient current pulses, and
- Must have an average sensitivity, adjustable between 0.3 and 1A.

To avoid false alarms, earth leakage monitoring devices when used in systems with split bypass input or when used in paralleled UPS configurations, must be located upstream of the UPS. Alternatively, the device must monitor the combined three-wire rectifier and split bypass input currents.

Surge Protection Devices

Any surge protection devices attached to the input or output lines of the UPS should be 3 wire devices (No neutral connection). 4 wire devices can cause false alarms due to them allowing current to flow in a way the UPS does not expect.

4.2.2 UPS Output

If an external distribution panel is used for load distribution, the selection of protective devices must provide discrimination with those that are used at the input to the UPS (see **Table 8.9** on page 77).

4.2.3 UPS Input Configuration

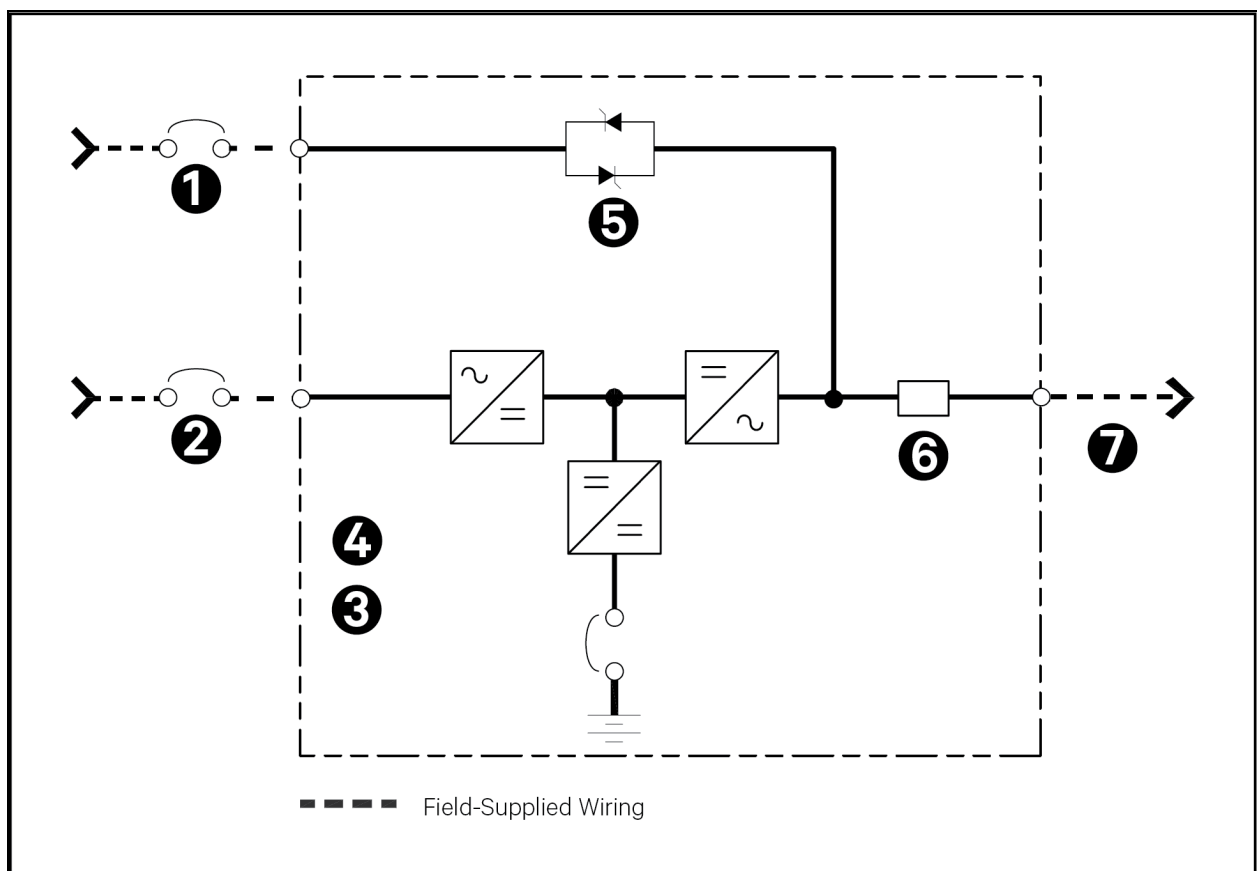
By default, the Vertiv™ Liebert® EXM ships with internal links installed between the bypass input and main (rectifier) input (single input configuration).

Figure 4.1 below and **Figure 4.2** on the next page show the Liebert® EXM in a split bypass (single source dual-input) configuration. In this configuration, the static bypass and the maintenance bypass lines are supplied by the same source using separate feeds. Both feeds must be protected externally with properly sized protective devices.

Wire Liebert® EXM Input as Single Source Dual-Input

To wire the Liebert® EXM as a single source dual-input UPS, remove factory-installed links between rectifier and bypass input busbar (see **Figure 4.3** on page 24).

Figure 4.1 Single UPS Block Diagram—Dual Input, Single Source Configuration, without Bypass Cabinet



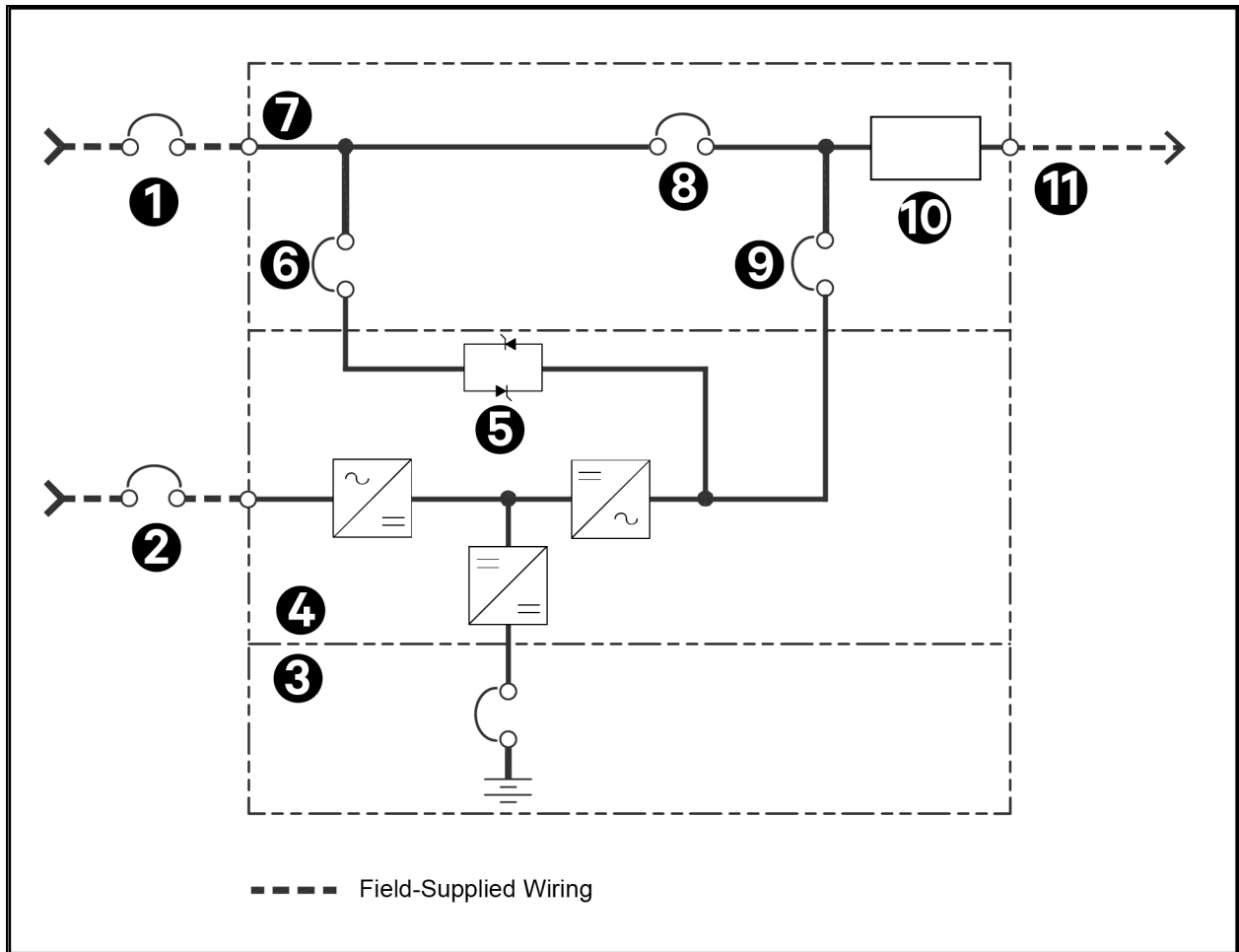
Item	Description	Item	Description
1	* Bypass AC Input 3-Wire + GND (See Note 6)	5	Static Bypass
2	* Rectifier AC Input 3-Wire + GND	6	Output Busbar
3	Battery	7	AC Output 208V 3-Wire + GND
4	UPS Cabinet	-	-

* External overcurrent protection by others.

NOTES TO FIGURE:

1. Install in accordance with national and local electrical codes.
2. Input and bypass must share the same single source.
3. Grounding conductors are recommended.
4. Bypass and rectifier inputs and output cables must be run in separate conduits.
5. Control wiring must be run in separate conduits.
6. Customer must supply shunt trip breakers with 480V coils to the bypass.

Figure 4.2 Single UPS Block Diagram—Dual Input, Single Source Configuration with MBC



Item	Description	Item	Description
1	* Bypass AC Input 3-Wire + GND	7	Maintenance Bypass Cabinet
2	* Rectifier AC Input 3-Wire + GND	8	MBB
3	Battery	9	MIB
4	UPS Cabinet	10	Output Bus
5	Static Bypass	11	AC Output 480V 3-Wire + GND
6	BIB	12	-

* External Overcurrent Protection by others

NOTES TO FIGURE:

1. Install in accordance with national and local electrical codes.
2. Input and bypass must share the same single source.
3. Grounding conductors are recommended.
4. Bypass and rectifier inputs and output cables must be run in separate conduits.
5. Control wiring must be run in separate conduits.
6. Customer must supply shunt trip breaker with 480V coil. If an optional Vertiv™ Liebert® MBC is not present, the shunt trip must be installed to Bypass Breaker.
 - BIB - Bypass Isolation Breaker
 - MBB - Maintenance Bypass Breaker
 - MIB - Maintenance Isolation Breaker

4.2.4 Cabling Guidelines

The following are guidelines only and are superseded by local regulations and codes of practice where applicable. Use wiring rated at 75°C or greater.

1. The ground conductor should be sized according to such factors as the fault rating, cable lengths and type of protection. The ground cable connecting the UPS to the main ground system must follow the most direct route possible. Control wiring and power wiring must be run in separate conduit. Output and input cables must be run in separate conduit.
2. Consider using paralleled smaller cables for heavy currents—this can ease installation.
3. Refer to SL-25656, the battery cabinet user manual, which shipped with the battery cabinet and is available at Vertiv's Web site (www.vertiv.com), for guidelines and instructions when sizing battery cables.
4. In most installations, the load equipment is connected to a distribution network of individually protected busbars fed by the UPS output, rather than connected directly to the UPS itself. When this is the case, the UPS output cables can be rated to suit the individual distribution network demands rather than being fully load-rated.

NOTE: If more load is added to the distribution panel, the unit's cabling must be resized.

5. Do not form coils when laying power cables; this will help avoid increasing formation of electromagnetic interference.

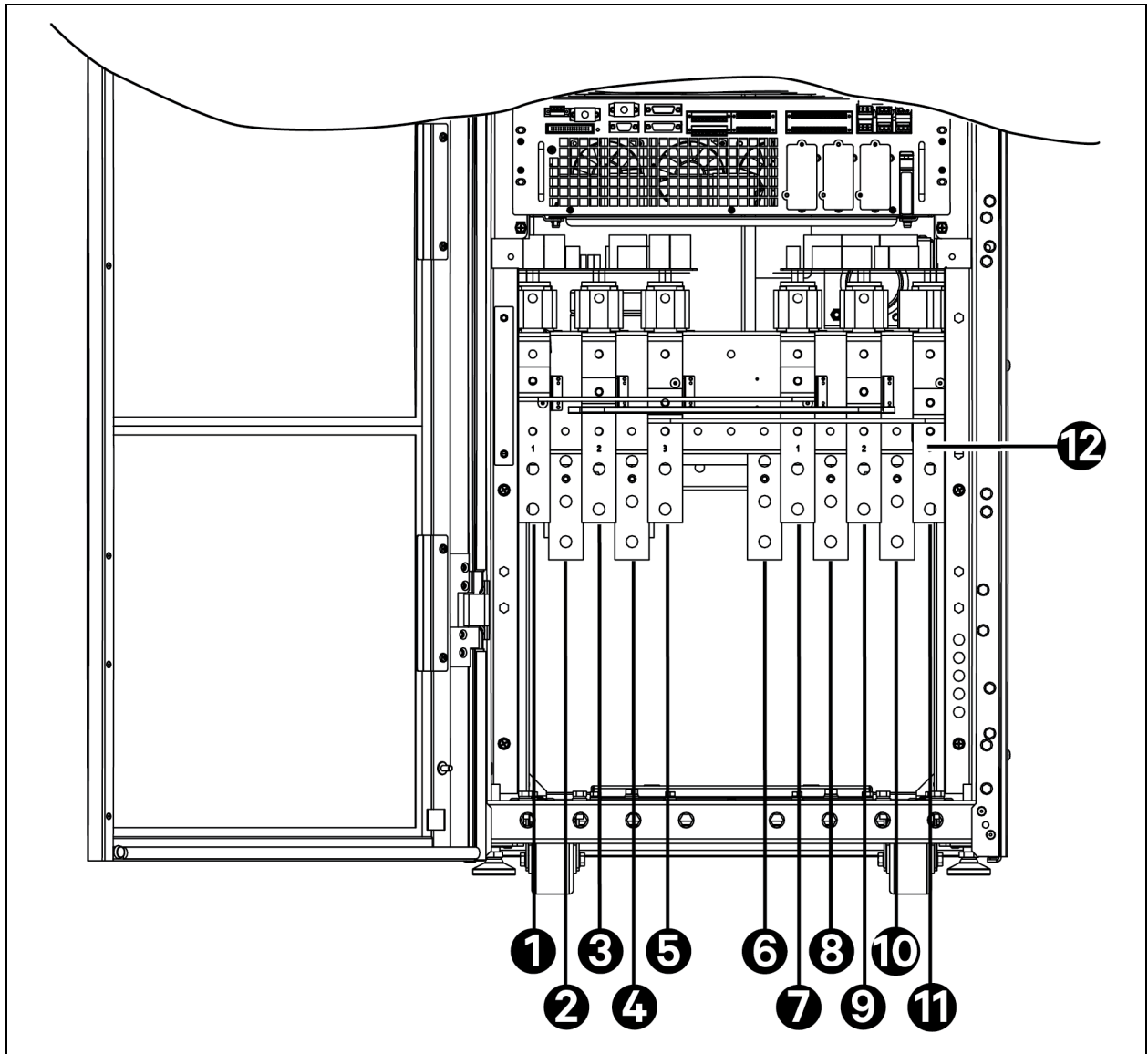
4.2.5 Cable Connections

The rectifier input, bypass, output and battery are easily accessible from the front of the unit for installation. All require lug type terminations. They are connected to busbars on the front of the Vertiv™ Liebert® EXM, as shown in **Figure 4.3** on the next page. These busbars are accessible when the I/O panel is removed.

NOTICE

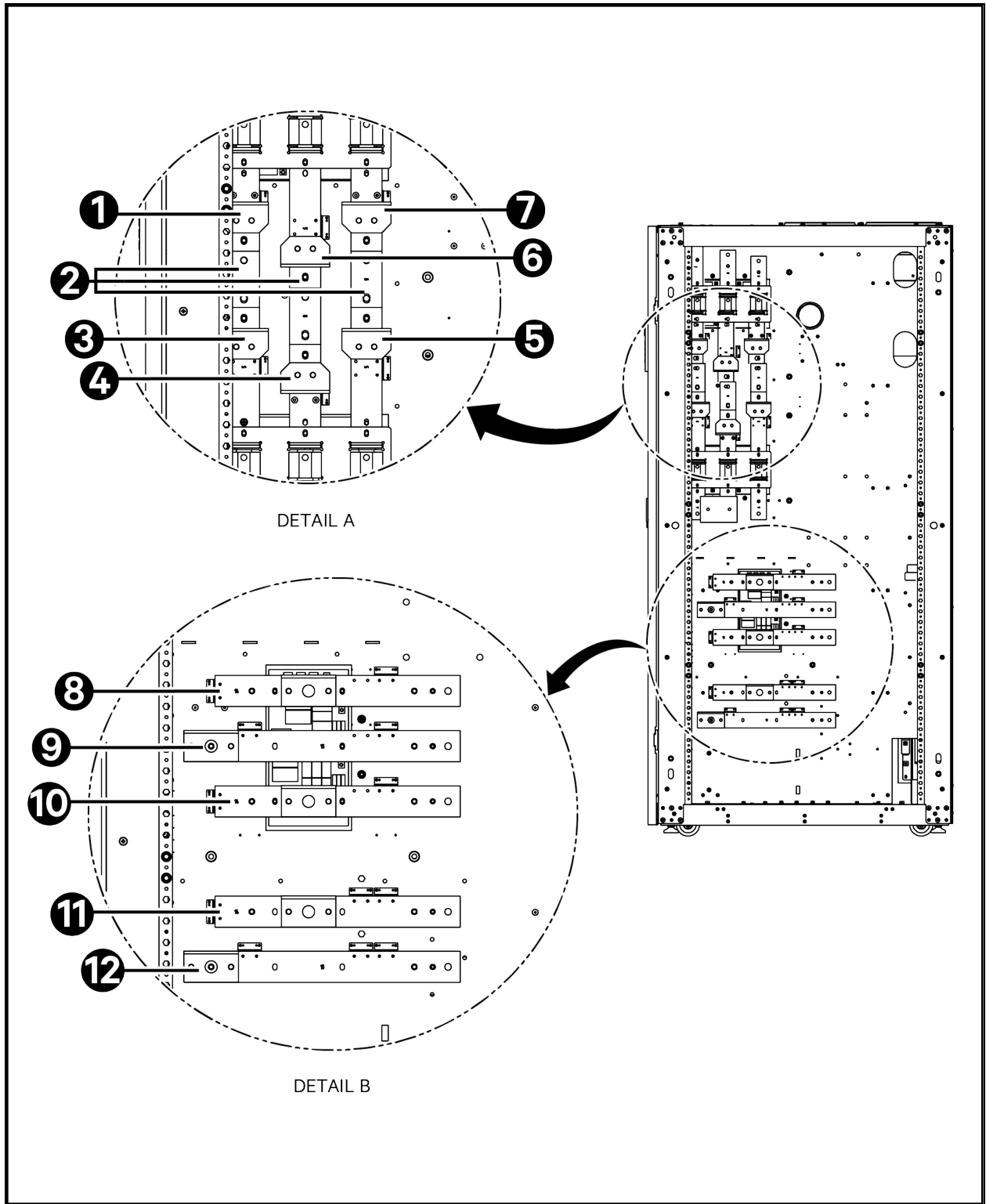
Risk of improper installation. Can cause equipment damage.
When wiring a single-input only system, connect only the power wiring to the input busbars.

Figure 4.3 Input, Output and Battery Busbars—Vertiv™ Liebert® EXM 50-200kVA Frame



Item	Description	Item	Description
1	Rec A	7	Byp A
2	Batt +	8	Out B
3	Rec B	9	Byp B
4	Bat -	10	Out C
5	Rec C	11	Ground
6	Out A	12	Byp C

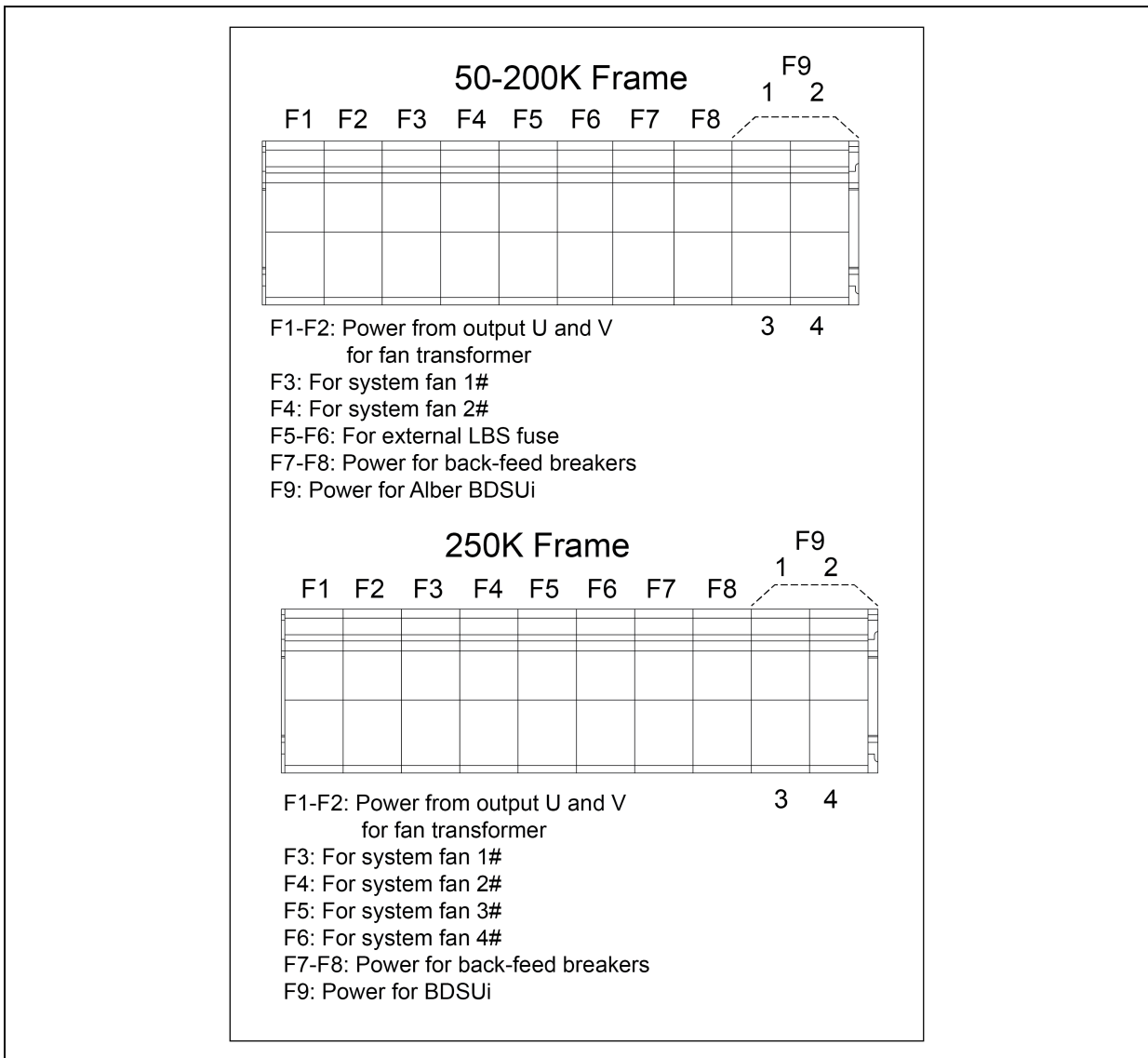
Figure 4.4 Input, Output and Battery Busbars—Vertiv™ Liebert® EXM 250kVA Frame



Item	Description	Item	Description
1	Byp A	7	Byp C
2	Single-Input Link A/B/C	8	Out A
3	Rec A	9	Out B
4	Rec B	10	Out C
5	Rec C	11	BAT+
6	Byp B	12	BAT-

4.2.6 Accessory Fuses and Back-Feed Breaker Wiring

Figure 4.5 Fuse Holders



Two fuse blocks provide power for the back-feed breakers (standard) and the Alber BDSUi (optional). The accessory fuse holders are shown in **Figure 5.2** on page 47 and **Figure 5.4** on page 49.

The back-feed breaker fuse block provides 480V nominal provided from the UPS output (L-L) and the fuse is rated for 1 amps. **Figure 4.7** on the next page shows the back-feed breaker wiring, located on the bypass static switch assembly.

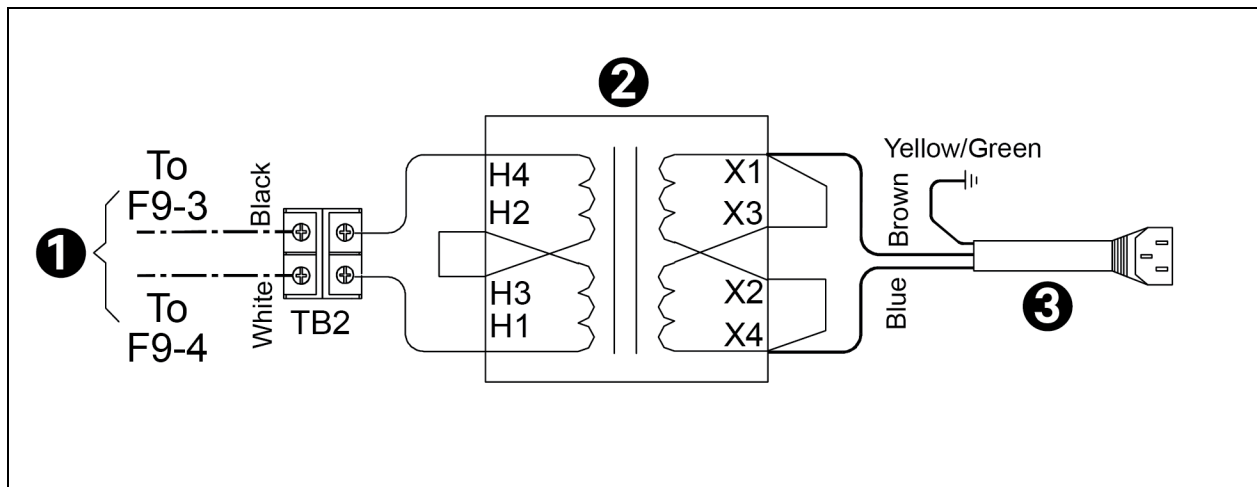
The Vertiv™ Liebert® EXM does not include internal back-feed protection. A shunt trip coil of 480V must be installed in the bypass input breaker and rectifier input breaker if the system does not include a Liebert® Bypass Cabinet. This is a safety feature and will prevent the UPS inverter from back-feeding the input sources.

The Alber BDSUi fuse block provides 480V nominal from the UPS output (L-L) and the fuse is rated at 8A. The Alber BDSUi power wiring is shown in SL-25656, the Liebert® EXM Battery Cabinet manual.

The recommended wire for the connection from the Liebert® EXM UPS to TB2 is as follows:

- MTW/TEW UL1015/UL1230
- 16 AWG, 600V, 105C, White/Black Twisted

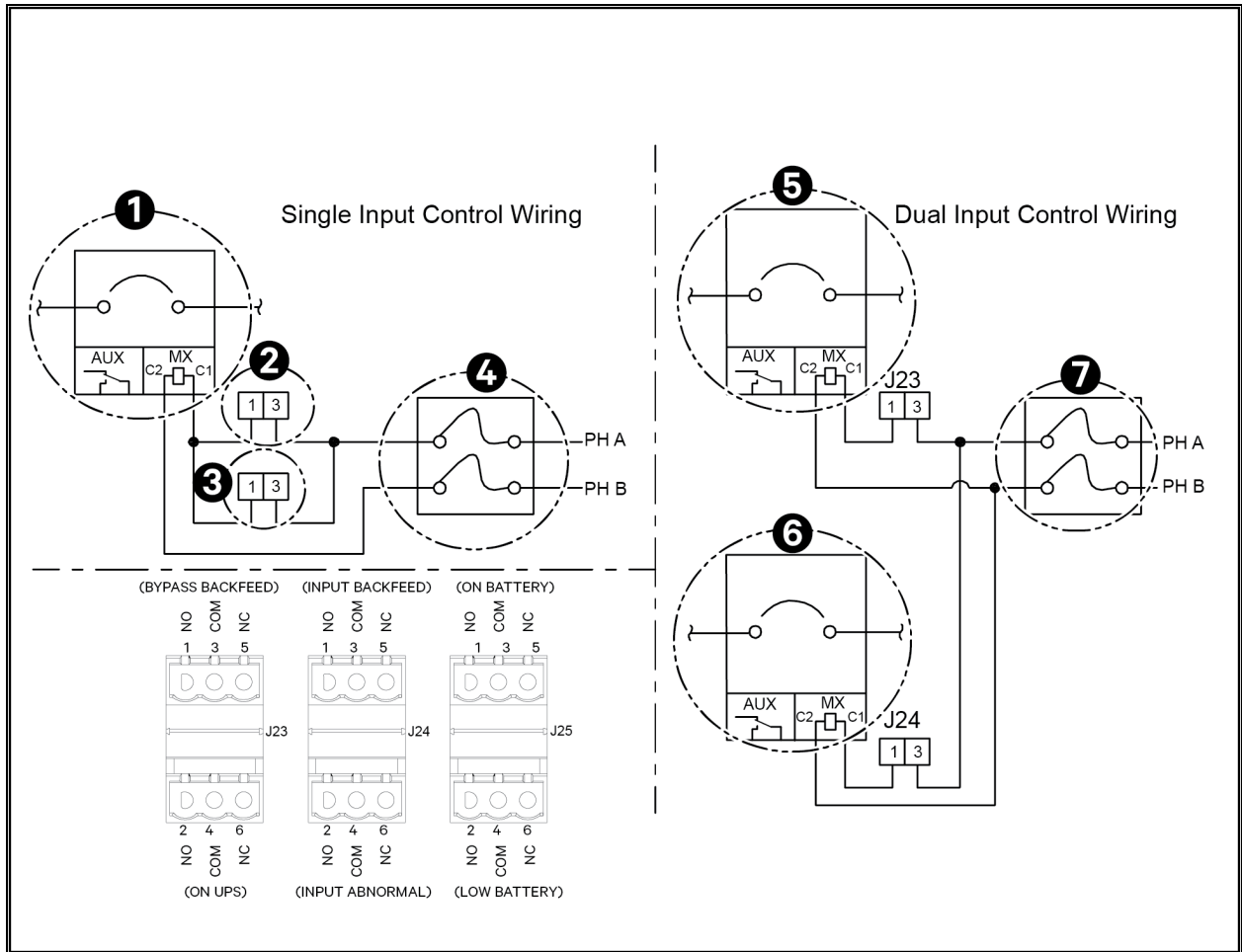
Figure 4.6 Alber BDSUi Power Wiring



Item	Description
1	480VAC from Liebert® EXM UPS output
2	Transformer
3	To Alber BDSUi

Standard wire routing is handled internally between the Liebert® EXM UPS and the matching battery cabinet when both are bolted together. For external wiring between the Liebert® EXM and the battery cabinet, follow the NEC or local codes.

Figure 4.7 Dual Input Back-feed Breaker Wiring when Maintenance Bypass Cabinet not Used



Item	Description	Item	Description
1	Upstream System Input Breaker	5	Upstream Bypass Input Breaker
2	J23	6	Upstream Rectifier Input Breaker
3	J24	7	Back-Feed Breaker Fuse Block (F7/F8)
4	Back-Feed Breaker Fuse Block (F7/F8)		

NOTES TO FIGURE:

1. Auxiliary contacts not needed for back-feed breaker operation.
2. A 480V shunt trip coil is required for proper operation.

NOTE: Shunt trips are required in upstream breakers to allow back-feed protection to function properly.

4.2.7 Safety Ground

The safety ground busbar is below the output busbars as shown in **Figure 4.8** on page 30 . The safety ground cable must be connected to the ground busbar and bonded to each cabinet in the system. This ground busbar is then connected to the ground electrode conductor (GEC).

All cabinets and cable conduit should be grounded in accordance with local regulations.



WARNING! Risk of electrical shock and arc flash. Can cause property damage, injury and death. Failure to follow proper grounding procedures can result in electric shock hazard to personnel or the risk of fire, should a ground fault occur.

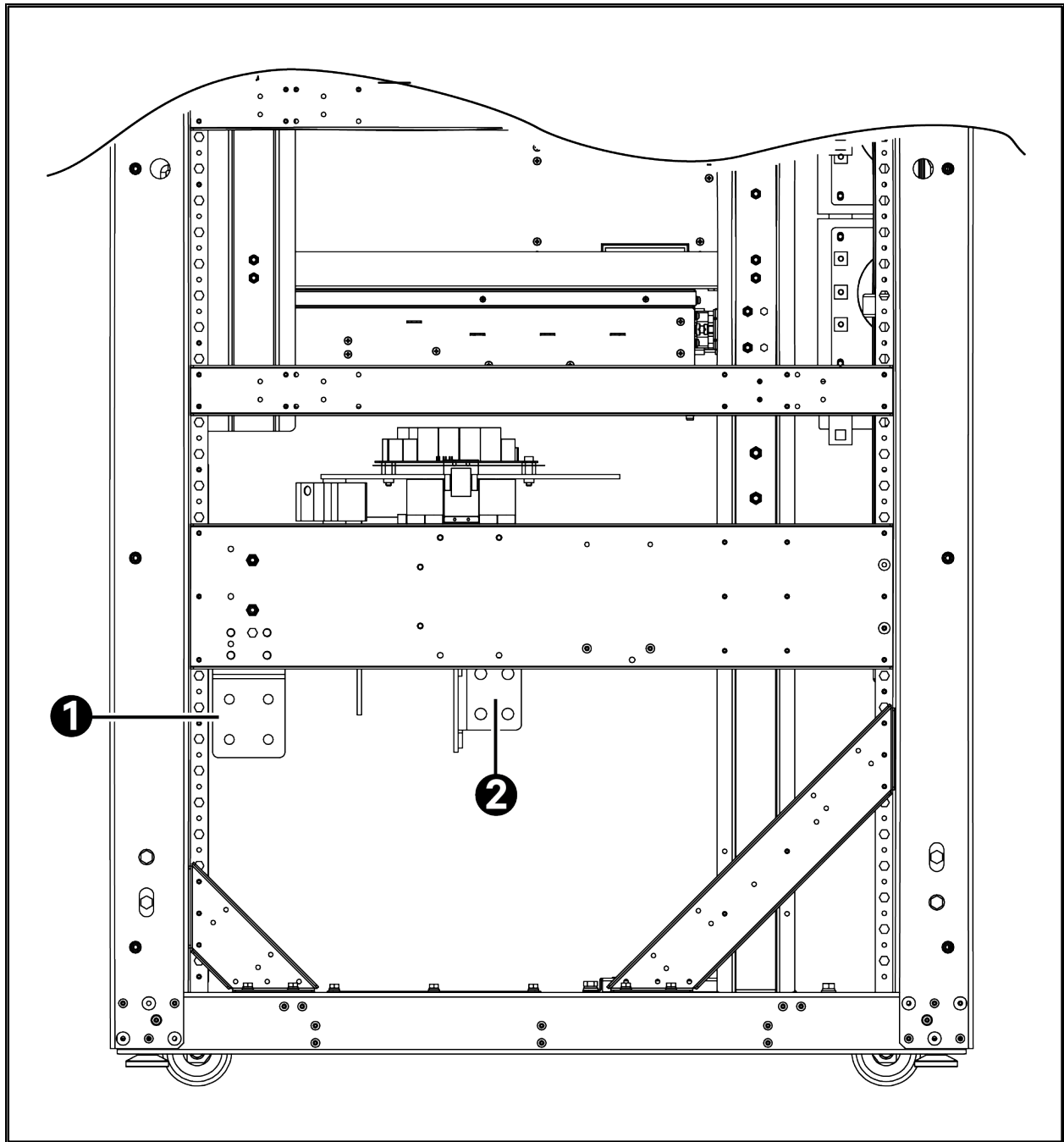


AVERTISSEMENT! Le non-respect des procédures de mise à la terre peut entraîner des risques d'électrocution du personnel, ou des risques d'incendie en cas de défectuosité de la mise à la terre. Toutes les opérations décrites dans cette section ne doivent être effectuées que par des électriciens ou des techniciens professionnels dûment formés et qualifiés. En cas de difficultés, communiquez avec Vertiv. Pour obtenir les renseignements de contact, consultez la dernière page de ce manuel.

NOTE: Proper grounding significantly reduces problems caused by electromagnetic interference.

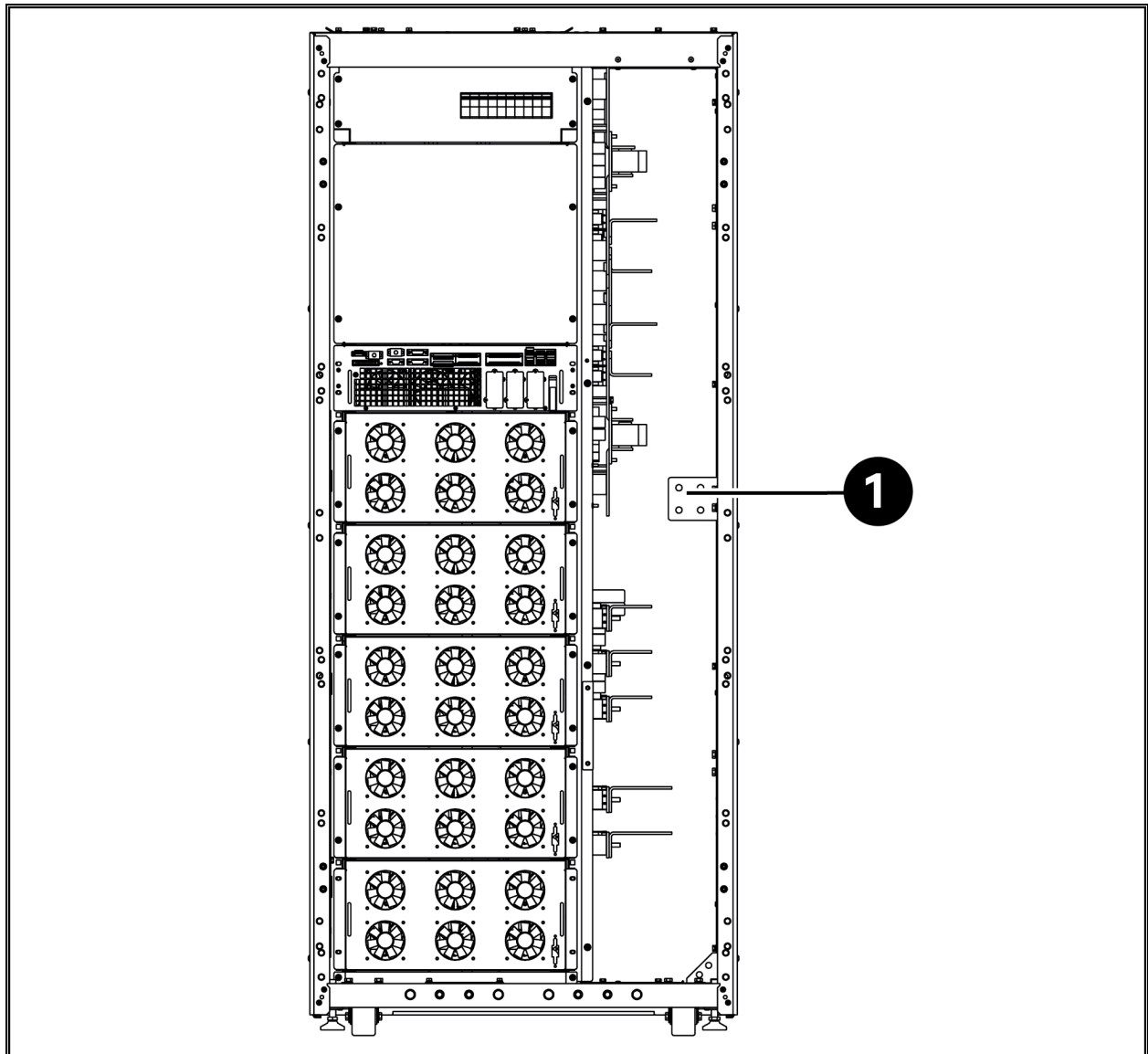
NOTE: The ground busbar is easily accessible when the I/O panel is removed. Cable connections should be made before a cabinet is attached to the right side of the Vertiv™ Liebert® EXM or before the UPS is placed where another obstruction, such as a wall, is against the Liebert EXM's right side.

Figure 4.8 Ground Busbar Connections—50-200kVA Unit



Item	Description
1	Ground
2	Bat+, Bat-

Figure 4.9 Ground Busbar Connections—250kVA Frame Busbars



Item	Description
1	Ground Lug

4.2.8 Protective Devices

For safety, it is necessary to install circuit breakers in the input AC supply external to the UPS system. Given that every installation has its own characteristics, this section provides guidelines for qualified installation engineers with knowledge of operating practices, regulatory standards and the equipment to be installed.

UPS Rectifier and Bypass Input Supply

Protection from excessive overcurrents and short circuits in power supply input.

- External overcurrent protection for the AC output circuit is to be provided. See [UPS Electrical Characteristics](#) on page 76 and **Table 8.11** on page 78 for overload capacity. Overcurrent protection for the battery circuit must be provided by the customer when using an external battery cabinet not manufactured by Vertiv.
- Dual Input Single Source - When wiring the UPS with dual inputs but with a single input source, the Rectifier input and the Bypass input must be protected separately. Size the breakers according to the input currents shown in **Table 8.4** on page 76 .

NOTE: For single or dual input, a 480V shunt trip coil(s) is required when a breaker is supplied by the customer. See **Figure 4.2** on page 22 for details.

Fuses

The Vertiv™ Liebert® EXM's main input and bypass input busbars are equipped with fuses (six locations; see **Figure 5.2** on page 47). The type is Bussman, rated 450A for 50-200kVA units (170M4463 for main input and 170M4465 for bypass input) and rated 550A for 250kVA units.

4.2.9 Cabling Procedure



CAUTION: The operations described in this section must be performed by authorized electricians or qualified technical personnel. If you have any difficulties, contact your local Vertiv representative or Vertiv Services.



AVERTISSEMENT! Toutes les opérations décrites dans cette section ne doivent être effectuées que par des électriciens ou des techniciens professionnels dûment formés et qualifiés . En cas de difficultés, communiquez avec Vertiv. Pour obtenir les renseignements de contact, consultez la dernière page de ce manuel.

NOTE: Hydraulic pressure pliers, combinative tools and piston ring pliers should be used to connect AC wiring.

Once the equipment has been positioned and secured for operation, and the battery and ground lugs have been connected (see [Cable Connections](#) on page 23), connect the power cables as described below. (Study the reference drawing in [Installation Drawings](#) on page 45)

1. Verify that all incoming high and low voltage power circuits are de-energized and locked out or tagged out before installing cables or making any electrical connections.
2. Remove the front I/O panel to gain easier access to the connections busbars.
3. Connect the facility ground and ancillary ground bus cables to the copper ground busbar. Refer to **Figure 4.8** on page 30 and **Figure 4.9** on the previous page . All cabinets in the UPS system must be connected to the user's ground connection.

NOTE: The grounding arrangement must comply with the National Electrical Code and all applicable local codes.

4. Identify and make power connections with incoming cables according to [Step 5](#) through [Step 8](#) .

Common Input Connections

- For common bypass and main inputs, connect the AC input supply cables to the UPS input terminals (BYP-A, BYP-B, BYP-C) and tighten the connections to 428 lb-in. (48Nm) (M12 bolt). Ensure correct phase rotation. Refer to **Figure 4.3** on page 24 and **Figure 4.4** on page 25 for additional details.

NOTE: For common bypass and main inputs, the AC input cables must be connected to the bypass terminal (BYP-A, BYP-B, BYP-C) but not the main input terminal (REC-A, REC-B, REC-C).

Split Bypass Connections

- If a split bypass configuration is used, connect the AC input supply cables to the rectifier input terminals (REC-A, REC-B, REC-C) and the AC bypass supply cables to the bypass input terminals (BYP-A, BYP-B, BYP-C) and tighten the connections to 428 lb-in. (48Nm) (M12 bolt). Ensure correct phase rotation.

NOTE: For split bypass operation, ensure that the busbars between bypass and rectifier inputs are removed.

Output System Connections—Ensure Correct Phase Rotation

- Connect the system output cables between the UPS output busbars (OUT-A, OUT-B, OUT-C terminals) and the critical load and tighten the connections to 428 lb-in. (48Nm) (M12 bolt).



WARNING! Risk of electrical shock and arc flash. Can cause property damage, injury and death. If the load equipment will not be ready to accept power when the commissioning engineer arrives, ensure that the system output cables are safely isolated.



AVERTISSEMENT! Risque de décharge électrique pouvant causer des blessures graves, voire mortelles. Si les équipements branchés ne sont pas prêts à être alimentés à l'arrivée de l'ingénieur de mise en service, assurez-vous que les bornes des câbles de sortie du système soient isolées de façon sécuritaire.

Observe the battery cable polarity. Be sure that the battery connections, if any, are made with the correct polarity.

- Refit all protective covers removed for cable installation.

4.3 Control Cables Details

4.3.1 Static Bypass Assembly Features

Based on your site's specific needs, the UPS may require auxiliary connections to manage the battery system (external battery circuit breaker, battery temperature sensor), communicate with a personal computer or provide alarm signaling to external devices or for Remote Emergency Power Off (REPO). Terminations for these functions are located at the front of the static bypass assembly. The main features are:

- Input and output dry contacts signal (one pair of contacts of relay).
- Emergency Power Off control (EPO).
- Environmental parameter input interface.
- User communication (for data setting and user background monitor).
- Vertiv™ Liebert® IntelliSlot interface.
- Temperature detect interface.

Figure 4.10 Control Module Connections to Display Cabinet and Options

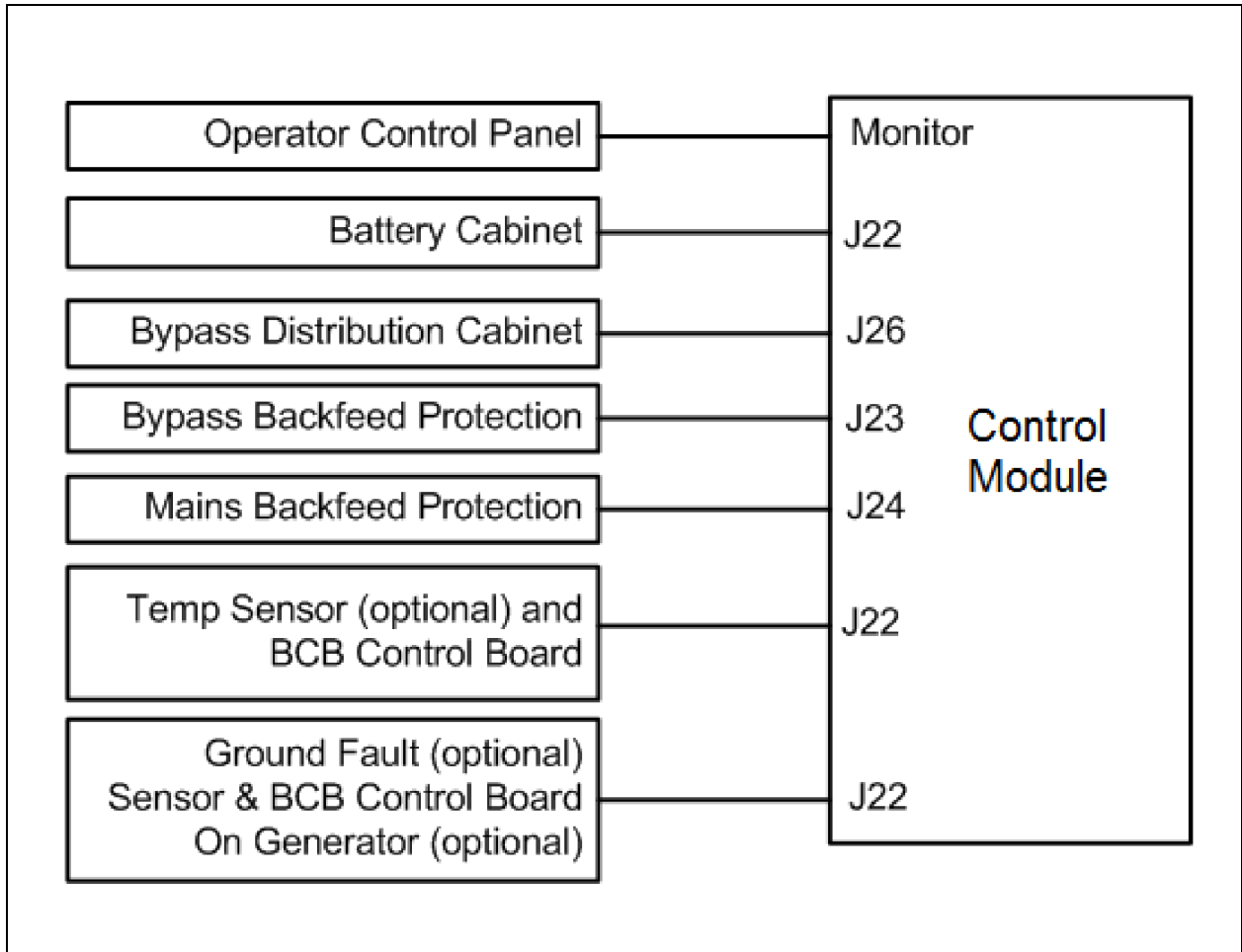
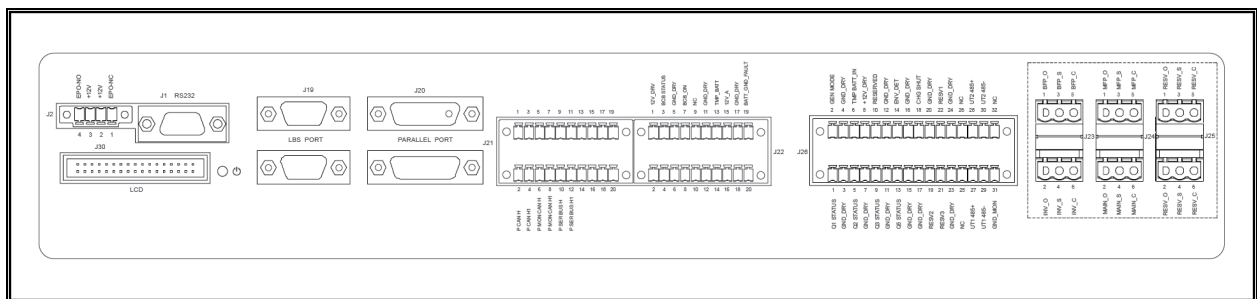


Figure 4.11 Auxiliary Terminal Block Detail (Control Module Front Panel)



4.4 Dry Contacts

The UPS provides input dry contacts and output dry contacts on the Auxiliary Terminal Block (Dry Contact Terminal Block).

4.4.1 Input Dry Contacts

External input dry contacts are connected via the Dry Contact Terminal Block. Dry contacts are available for environment detection, battery ground fault detection, etc.

The UPS accepts external signal from zero-voltage (dry) contacts connected through external dry contact terminals produced, and these terminals are on the static bypass assembly. Through software programming, these signals become active when these contacts connect to +12V to ground (in the most left side). The cables connected to the monitor board must be separated from power cables. Moreover, these cables should be double-insulated with a typical cross-section of 0.5 to 1mm² for a maximum connection length between 82 and 165ft. (25-50m). The Dry Contact Terminal Block has several input dry contacts.

Figure 4.12 Input Dry Contacts

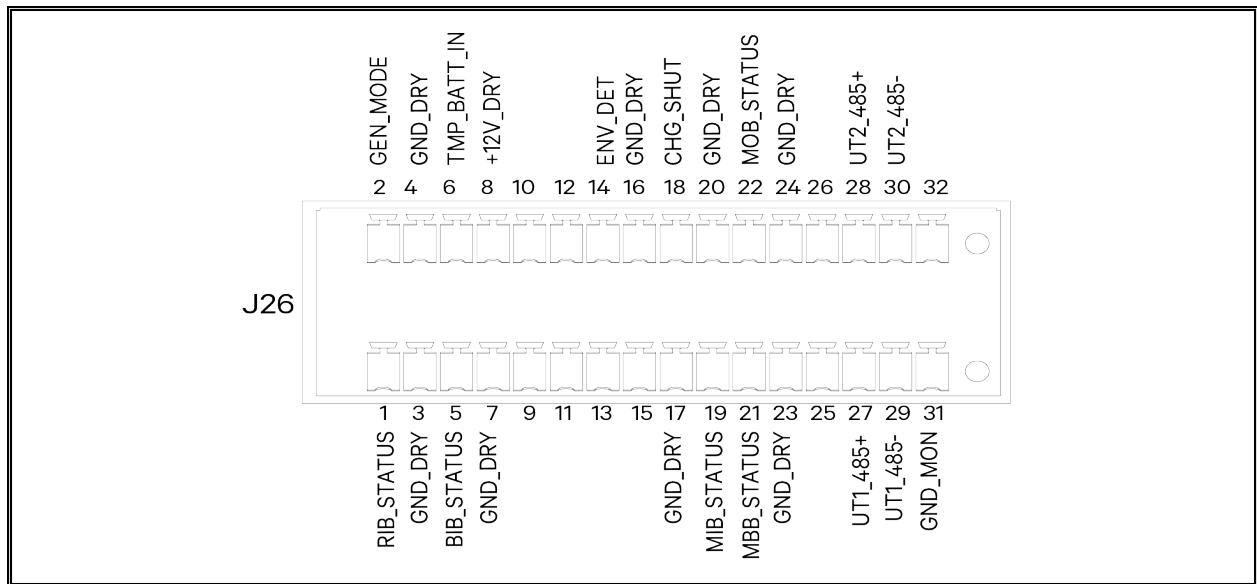


Table 4.3 Input Dry Contacts—J26

Pin	Name	Description
1	RIB_STATUS	Rectifier Input Breaker Status (Short for RIB Closed)
3	GND_DRY	Dry Ground
5	BIB_STATUS	Bypass Input Breaker Status (Short for BIB Closed)
7	GND_DRY	Dry Ground
9	LEGACY_MBB	Legacy Maintenance Bypass Breaker Status (Open for MBB Closed)
11	GND_DRY	Dry Ground
13	LEGACY_MIB	Legacy Maintenance Isolation Breaker Status (Short for MIB Closed)
15	GND_DRY	Dry Ground
17	GND_DRY	Dry Ground

Table 4.3 Input Dry Contacts—J26 (continued)

Pin	Name	Description
19	MIB_STATUS	Maintenance Isolation Breaker Status (Open for MIB Closed)
21	MBB_STATUS	Maintenance Bypass Breaker Status (Short for MBB Closed)
23	GND_DRY	Dry Ground
25	—	N/A
27	UT1_485+	RS485+ Channel #1
29	UT1_485-	RS485+ Channel #1
31	GND_MON	Monitor Ground
2	GEN_MODE	Generator Mode (N.O.)
4	GND_DRY	Dry Ground
6	TMP_BATT_IN	Battery Temperature
8	+12V_DRY	+12V Power
10	—	N/A
12	GND_DRY	Dry Ground
14	ENV_DET	Environment Room Temperature (N.O.)
16	GND_DRY	Dry Ground
18	CHG_SHUT	Charger Shutdown (N.O.)
20	GND_DRY	Dry Ground
22	MOB_STATUS	Module Output Breaker Status (Open for MOB Closed)
24	GND_DRY	Dry Ground
26	—	N/A
28	UT2_485+	RS485+ Channel #2
30	UT2_485-	RS485+ Channel #2
32	—	N/A

4.4.2 Output Dry Contacts

The Dry Contact Terminal Block has three output dry contact relays (see **Figure 4.13** on the facing page and **Table 4.4** on the facing page).

Figure 4.13 Output Dry Contacts and EPO Wiring

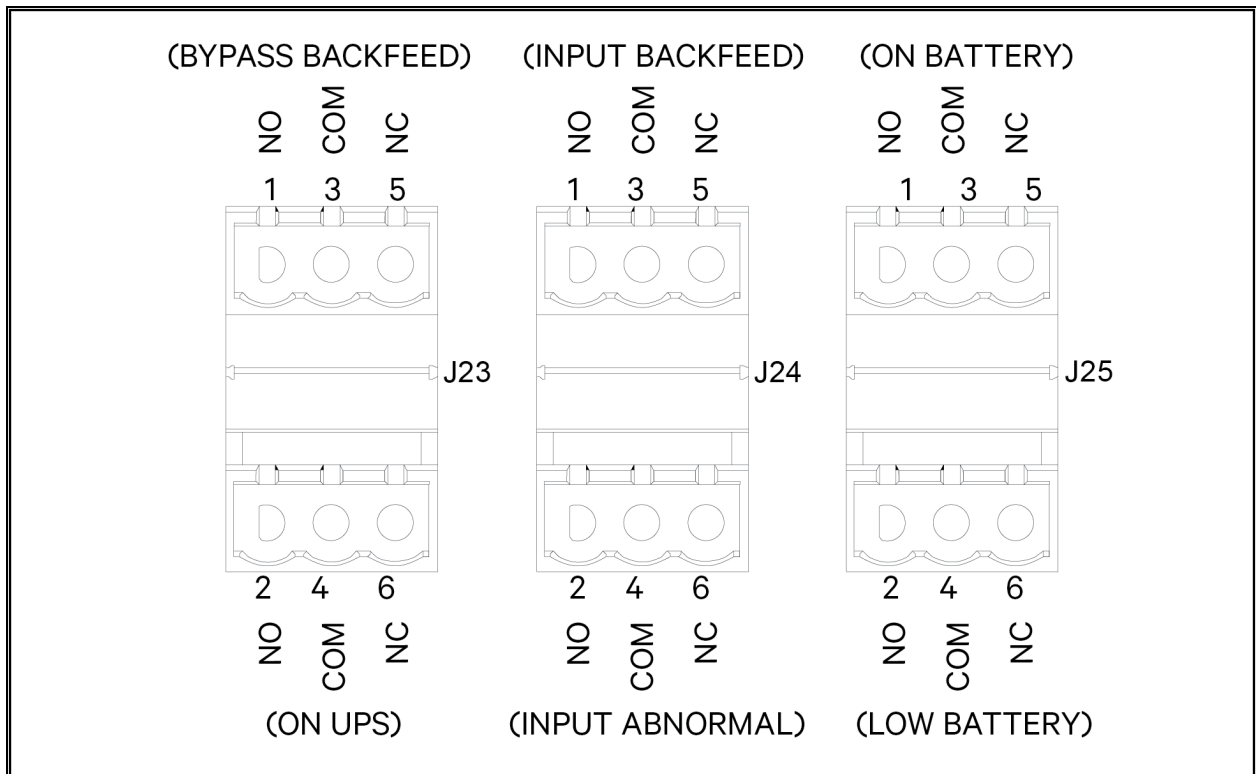


Table 4.4 Output Dry Contact Relays

Port	Pin	Description
J23	1	Bypass Backfeed NO
	3	Bypass Backfeed COM
	5	Bypass Backfeed NC
J23	2	On UPS NO
	4	On UPS COM
	6	On UPS NC
J24	1	Input Backfeed NO
	3	Input Backfeed COM
	5	Input Backfeed NC
J24	2	Input Abnormal NO
	4	Input Abnormal COM
	6	Input Abnormal NC
J25	1	On Battery NO
	3	On Battery COM
	5	On Battery NC

Table 4.4 Output Dry Contact Relays (continued)

Port	Pin	Description
J25	2	Low Battery NC
	4	Low Battery COM
	6	Low Battery NC

NOTE: All auxiliary cables must be double-insulated and shielded. Wire should be 20-16AWG stranded for maximum runs between 80 and 200 feet (25-60m), respectively.

4.4.3 Vertiv™ Liebert® MBC Interface

The Liebert® MBC interface is on the Dry Contact Terminal Block at J26. Refer to **Figure 4.12** on page 35 for circuit details.

NOTE: All auxiliary cables must be double-insulated and shielded. Wire should be 20-16AWG stranded for maximum runs between 80 and 200 feet (25-60m), respectively.

NOTE: Refer to SL-26103, the Vertiv™ Liebert® EXM Maintenance Bypass Cabinet manual for the Liebert® MBC wiring.

4.4.4 Battery Cabinet Interface Connectors

The battery cabinet interface is on the Dry Contact Terminal Block at J22. Refer to **Figure 4.14** on the facing page for circuit details.

Figure 4.14 Battery Cabinet Interface—J22

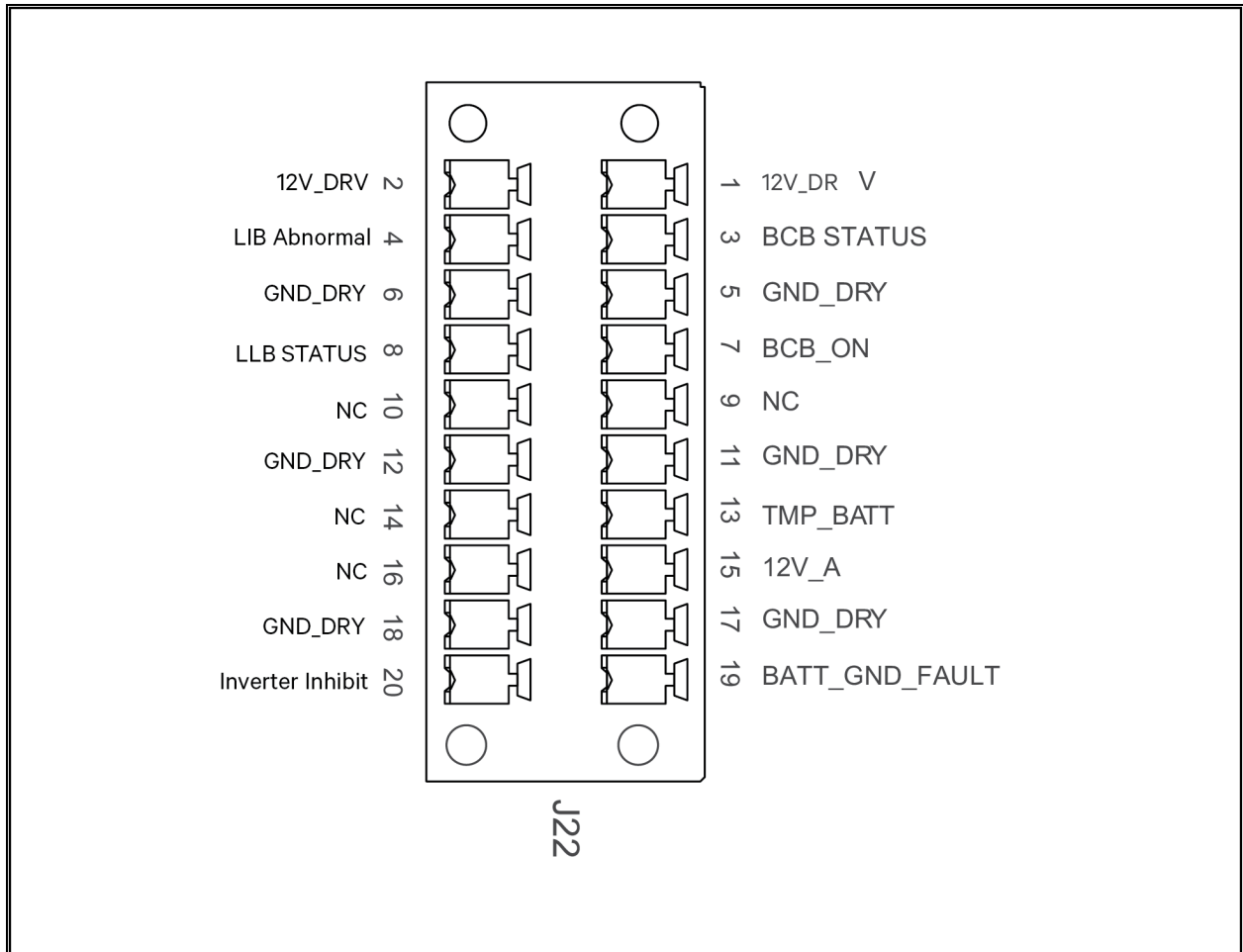


Table 4.5 Battery Cabinet Interface- J22

Pin	Name	Description
1	12V_DRV	BCB driver signal
3	BCB STATUS	BCB state signal
5	GND_DRY	Dry ground
7	BCB_ON	BCB on line signal
9	NC	NC
11	GND_DRY	Dry ground
13	TMP_BATT	External Battery temperature
15	12V_A	Power
17	GND_DRY	Dry ground
19	BATT_GND_FAULT	Battery ground fault signal
2	12V_DRV	BCB drive, 12V to trip BCB
4	LIB Abnormal	Lithium-Ion battery system operates abnormally

Table 4.5 Battery Cabinet Interface- J22 (continued)

Pin	Name	Description
6	GND_DRY	Dry Ground
8	LLB STATUS	Aux Status of Local Load Bank Breaker for single/each unit testing
10	NC	NC
12	GND_DRY	Dry Ground
14	NC	NC
16	NC	NC
18	GND_DRY	Dry Ground
20	Inverter Inhibit	To turn off the inverter, often used with maintenance interlock devices

The Pins of J22 are configurable in software. Pins 3, 4, 7, 8, 19, 20 can be configured to any of the inputs shown. The ones shown in the table above are the default inputs. There are additional inputs that can be configured in **Table 4.6** below .

Table 4.6 J22 Additional Pin Assignments

Name	Description
Battery Trip Request	External request to trip the battery breaker
BCB2 Status	BCB state signal for BCB2
BCB2_ON	BCB on line signal for BCB2
BATT_GND_FAULT 2	Battery ground fault signal for battery string 2
SLBB Status	Aux status of System Load Bank Breaker for parallel systems

NOTE: All auxiliary cables of terminal must be double-insulated. Wire should be 20-16AWG stranded for maximum runs between 80 and 200 feet (25-60m), respectively.

4.4.5 EPO Input—Optional

NOTICE

Risk of exceeding internal voltage limits. Can cause equipment damage.

Do not apply more than 12V to the Emergency Power Off (EPO) input. Exceeding 12V on this input can damage the Vertiv™ Liebert® EXM's internal circuitry and control boards. Exceeding 12V will also put the Liebert® EXM in an EPO state, and the unit will not reset, making it non-functional.

The UPS has an Emergency Power Off (EPO) function operated by a button on the control panel or by a remote contact provided by the user. The EPO button is under a hinged, clear plastic shield.

The J2 connector, shown in **Figure 4.15** on the facing page , is the remote EPO input interface. The EPO has NO/NC contacts that become active when shorting terminals J2: 3 and 4 or open terminal connection J2:2 and 1.

If an external Emergency Stop capability is required, it is connected at terminals J2: 1 and 2 and at J2: 3 and 4 on the monitor board. It also is connected to the Normally Open or Normally Closed remote stop switch between these two terminals using shielded cable (see **Figure 4.15** on the facing page and **Table 4.7** on the facing page). If this function is not used, terminals J2:3 and 4 must be opened and J2:1 and 2 must be closed.

Figure 4.15 EPO Wiring and Signal Names for J2

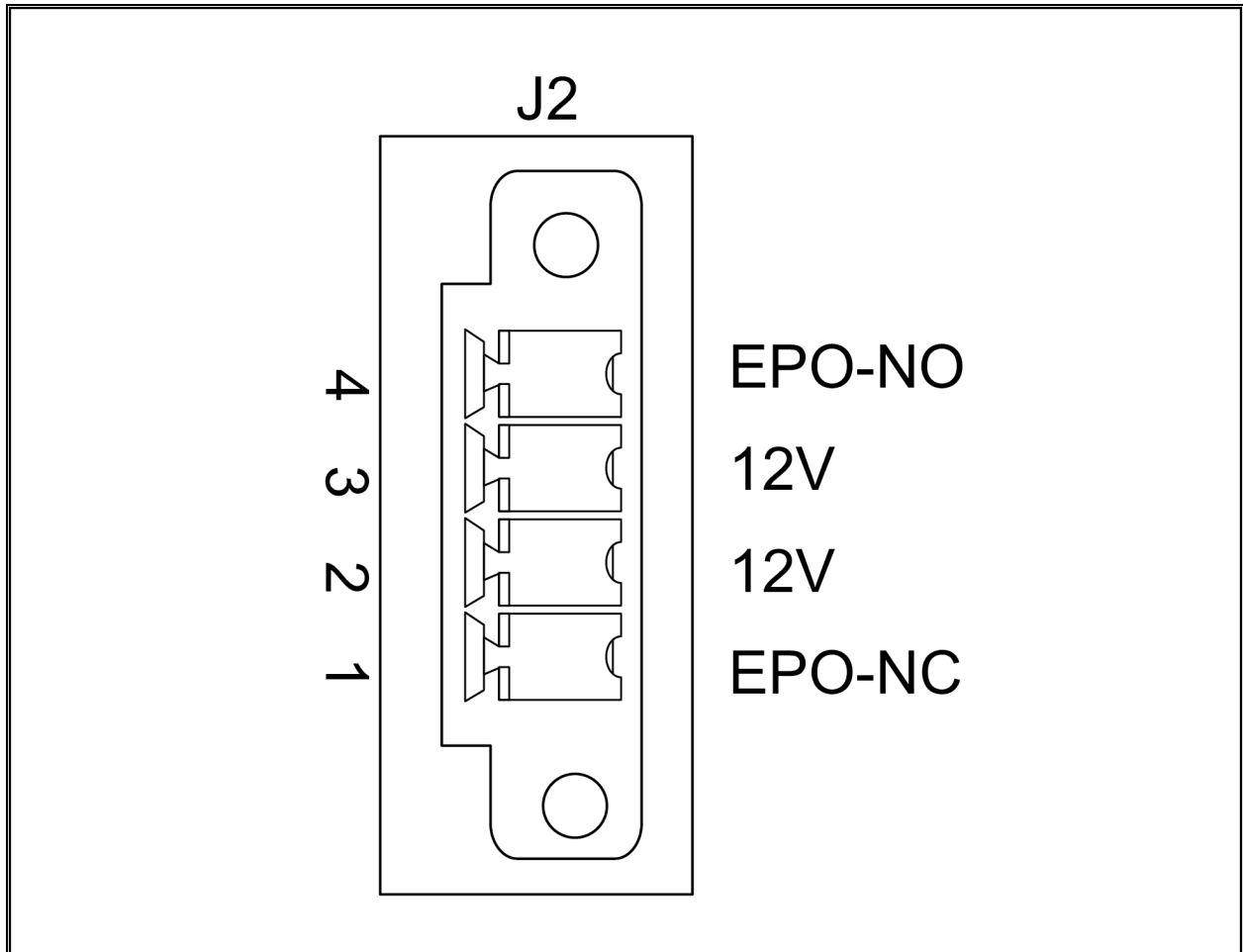


Table 4.7 EPO Input Contact Relays—J2

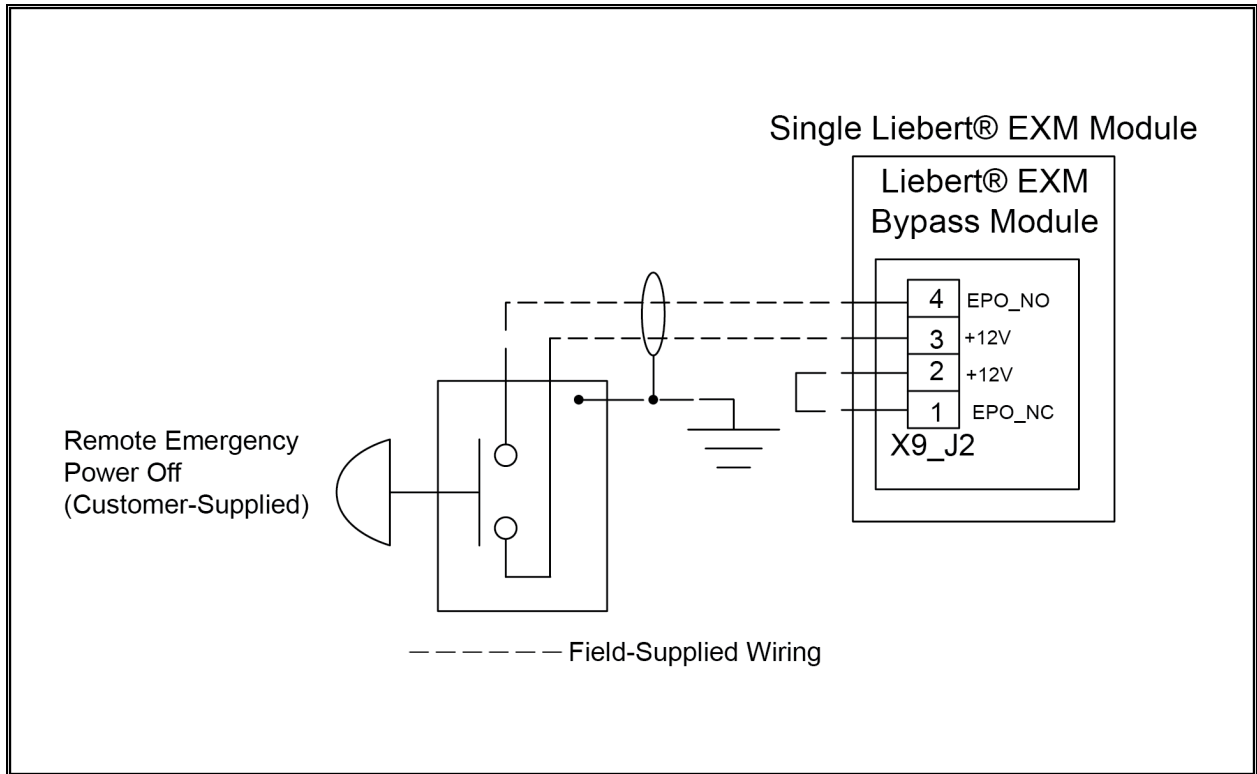
Pin	Name	Description
1	EPO-NC	EPO activated when opened to Pin 2
2	+ 12V	—
3	+ 12V	—
4	EPO-NO	EPO activated when shorted to Pin 3

NOTE: The Emergency Stop action within the UPS shuts down the rectifier, inverter and static bypass. It does not internally disconnect the input power supply. To disconnect ALL power to the UPS, open the upstream feeder breaker (s) after the remote EPO is activated.

NOTE: Normally Closed EPO – J2: 1 and 2, these terminals are supplied factory-linked on the Bypass Module on the UPS and must remain installed if using NO contacts.

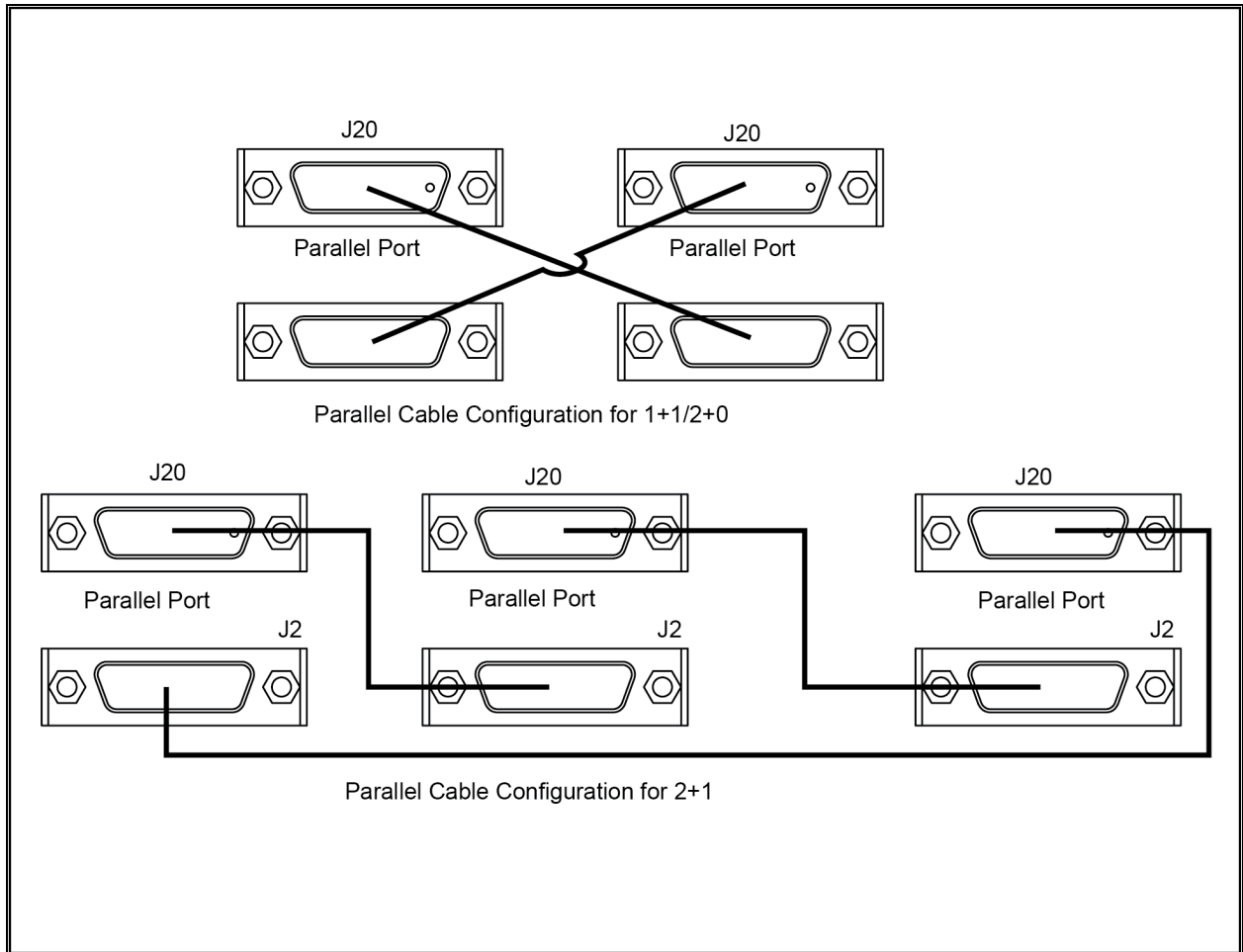
NOTE: All auxiliary cables of terminal must be double-insulated. Wire should be 20-16AWG stranded for maximum runs between 80 and 200 feet (25-60m), respectively.

Figure 4.16 Single UPS Remote Emergency Power Off



4.5 Parallel Cable Connections

Figure 4.17 Parallel Cable Wiring Diagram

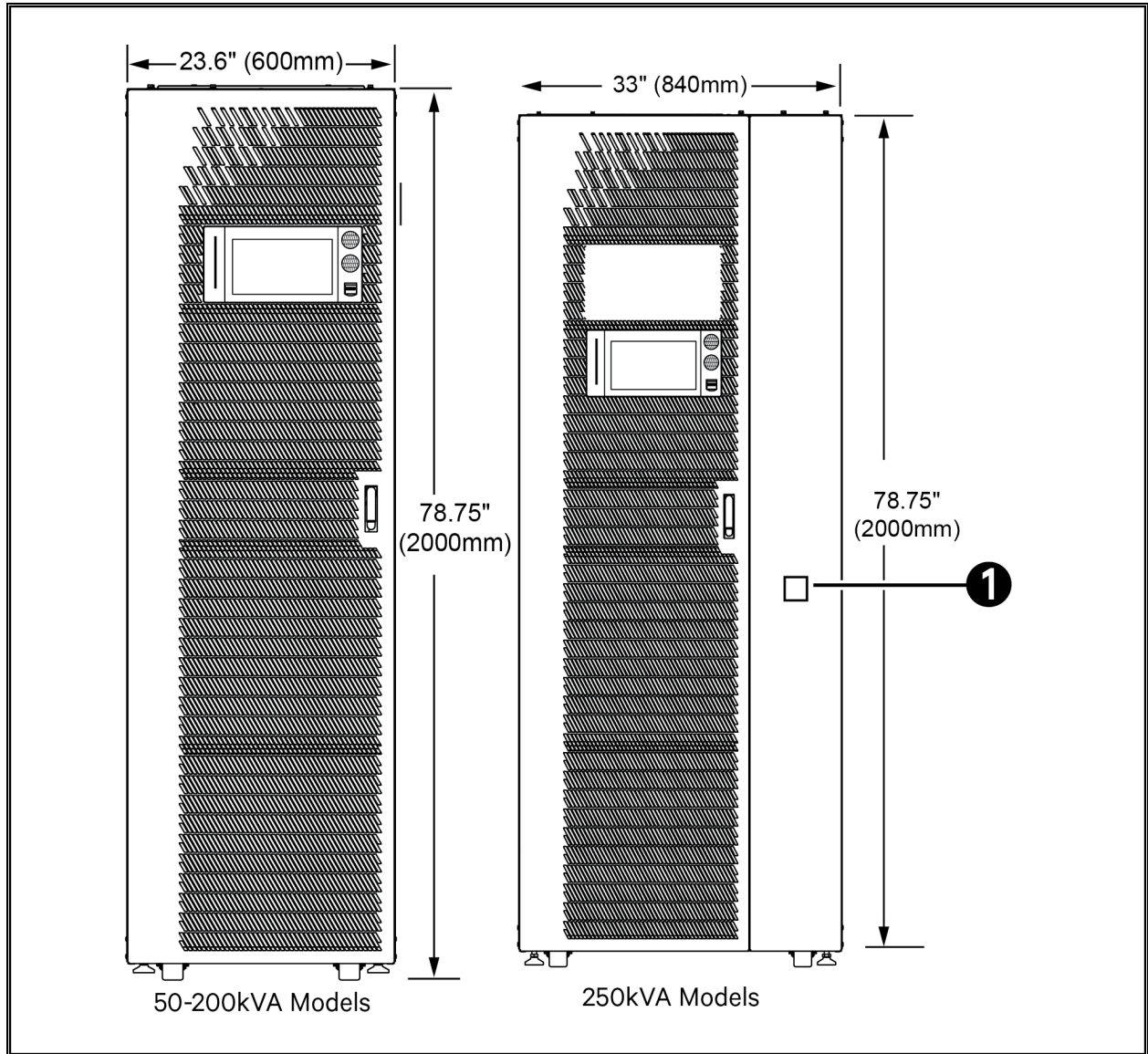


This page intentionally left blank

5 Installation Drawings

The diagrams in this section illustrate the key mechanical and electrical characteristics of the Vertiv™ Liebert® EXM UPS system cabinets (UPS, Vertiv™ Liebert® MBC and battery).

Figure 5.1 UPS Dimensions-Front View

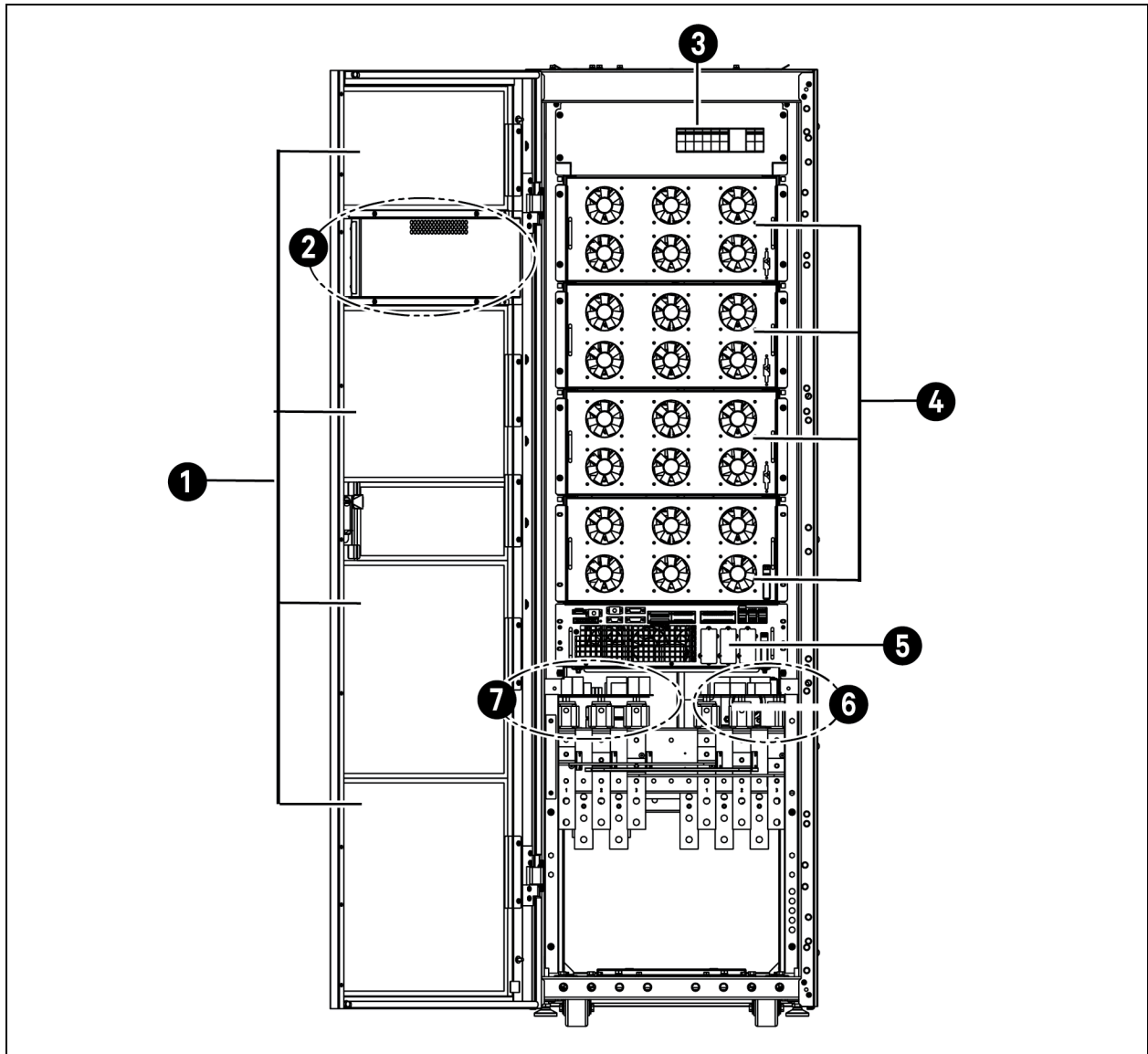


Item	Description
1	I/O Section

NOTES TO FIGURE:

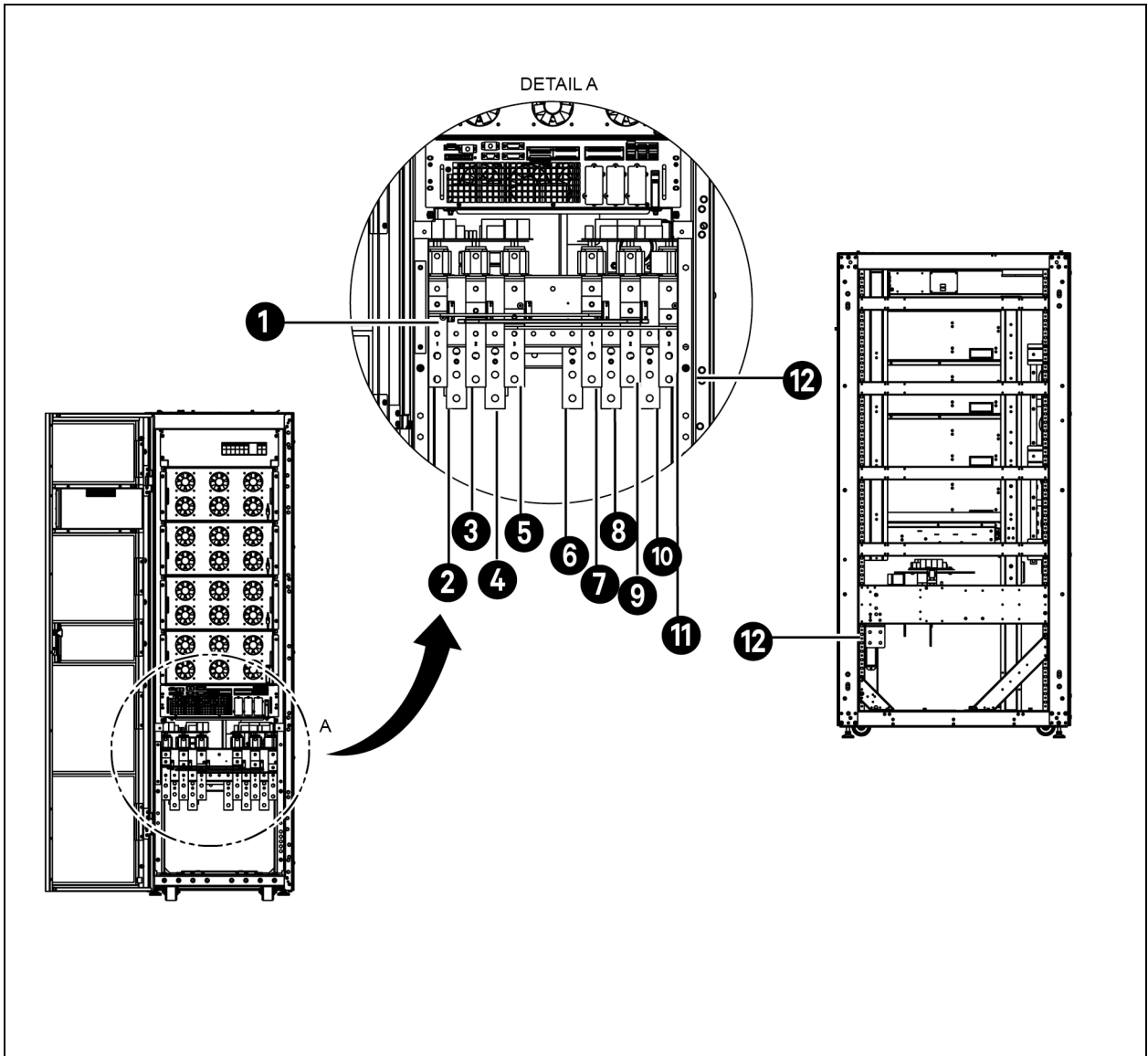
1. Dimensions are in inches (mm).
2. 24 In.(610mm) minimum clearance above unit required for air exhaust. No clearance required in rear except when using seismic anchoring, allow 5 In.(127mm) clearance. 36 In.(914mm) front access required for service.
3. Keep cabinet within 15 degrees of vertical.
4. 50-200kVA Models: Bottom cable entry is available through removable access plates. Remove, punch to suit conduit size and replace. Top cable entry available through matching Vertiv™ Liebert® MBC or optional wiring cabinet.
5. 250kVA Models: Top and bottom cable entry available through removable access plates. Remove, punch to suit conduit size and replace.
6. Unit bottom is structurally adequate for forklift handling.
7. Control wiring and power wiring must be run in separate conduits.
8. All wiring is to be in accordance with national and local electrical codes.
9. All battery cabinets must be positioned on the left side of the UPS.

Figure 5.2 UPS Main Components-Typical 50-200kVA Unit



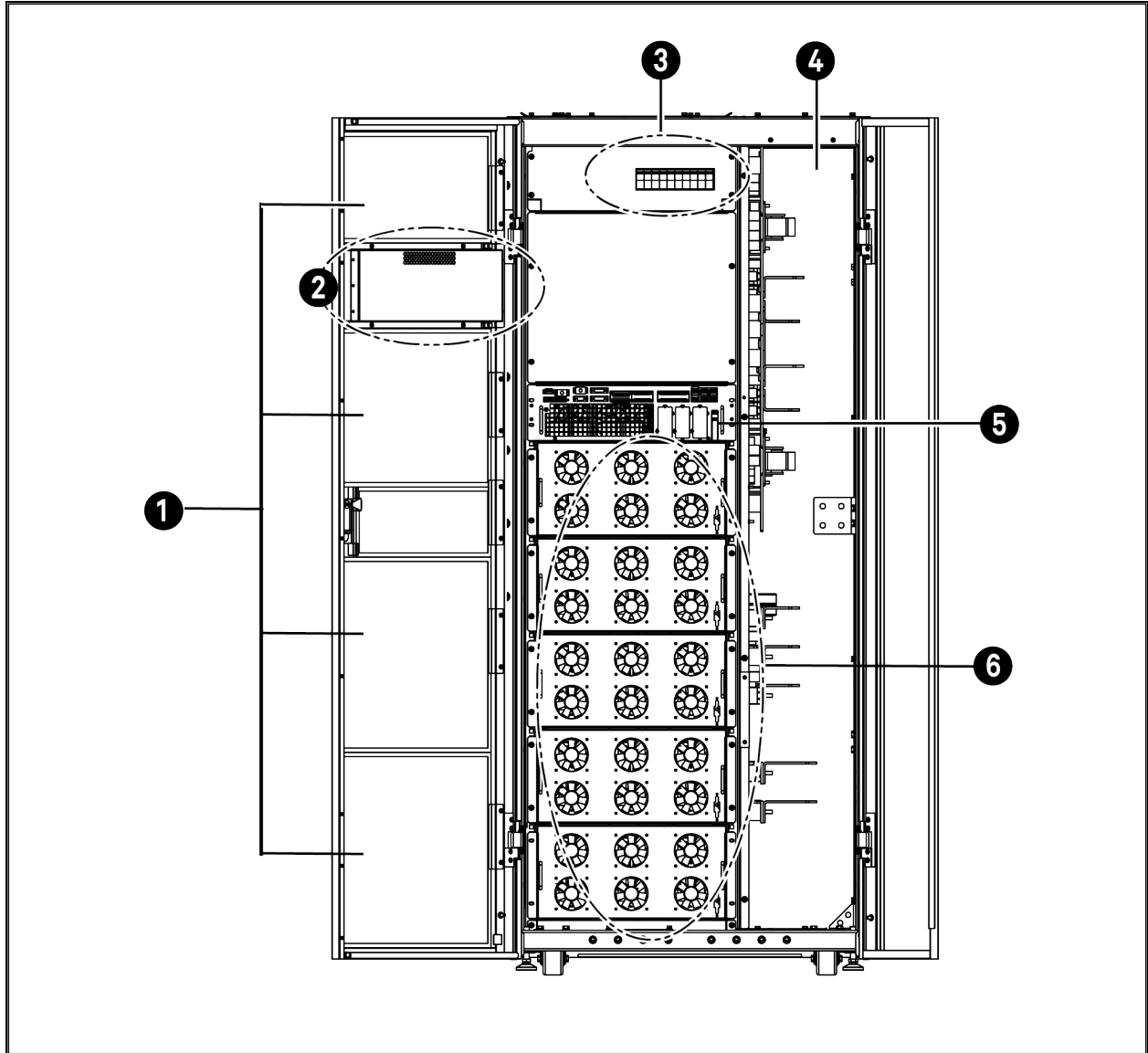
Item	Description	Item	Description
1	Replaceable Air Filter	5	Static Bypass Assembly
2	Control Panel	6	Bypass Switches
3	Fuse Holder	7	Rectifier Switches
4	Power modules		

Figure 5.3 UPS Cable Connections-50-200kVA



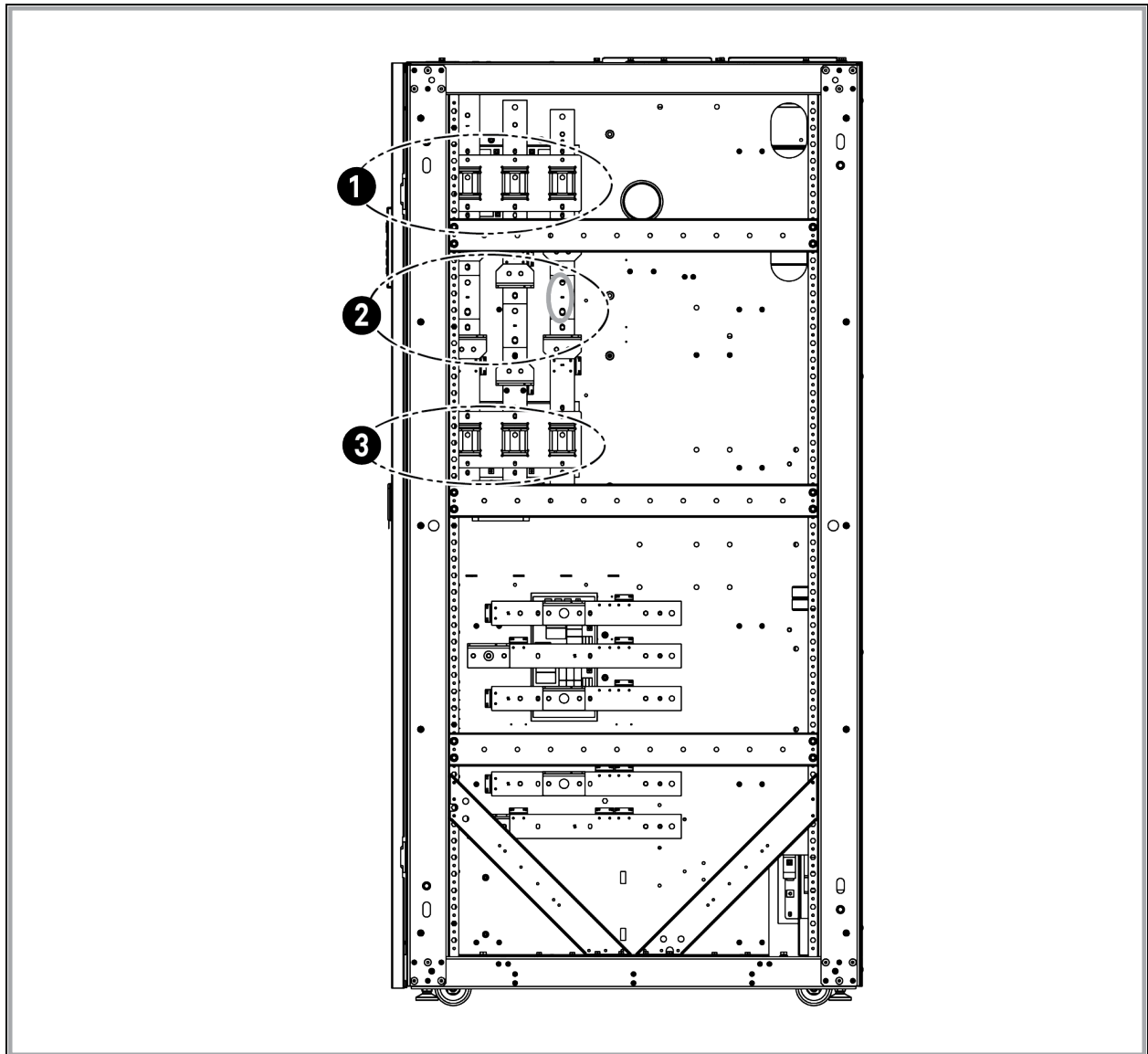
Item	Description	Item	Description
1	Rec A	7	Byp A
2	Bat+	8	Out B
3	Rec B	9	Byp B
4	Bat-	10	Out C
5	Rec C	11	Byp C
6	Out A	12	Ground

Figure 5.4 UPS Main Components-Typical 250kVA Unit



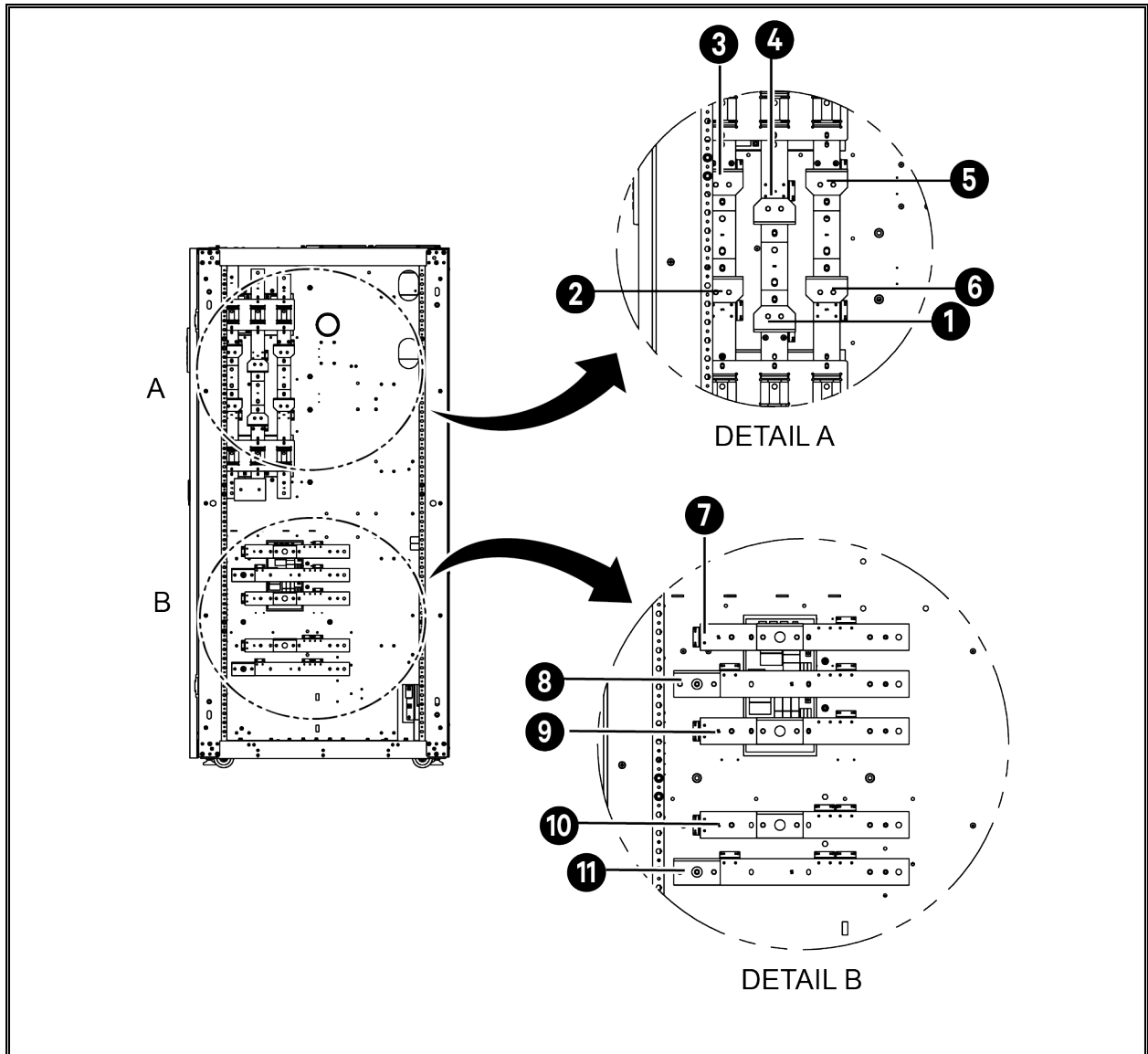
Item	Description	Item	Description
1	Replaceable Air Filter	4	Input/ Output Cabinet
2	Control Panel (Back)	5	Static Bypass Assembly
3	Fuse Holder	6	Power Modules

Figure 5.5 Fuse Location-Typical 250kVA Unit



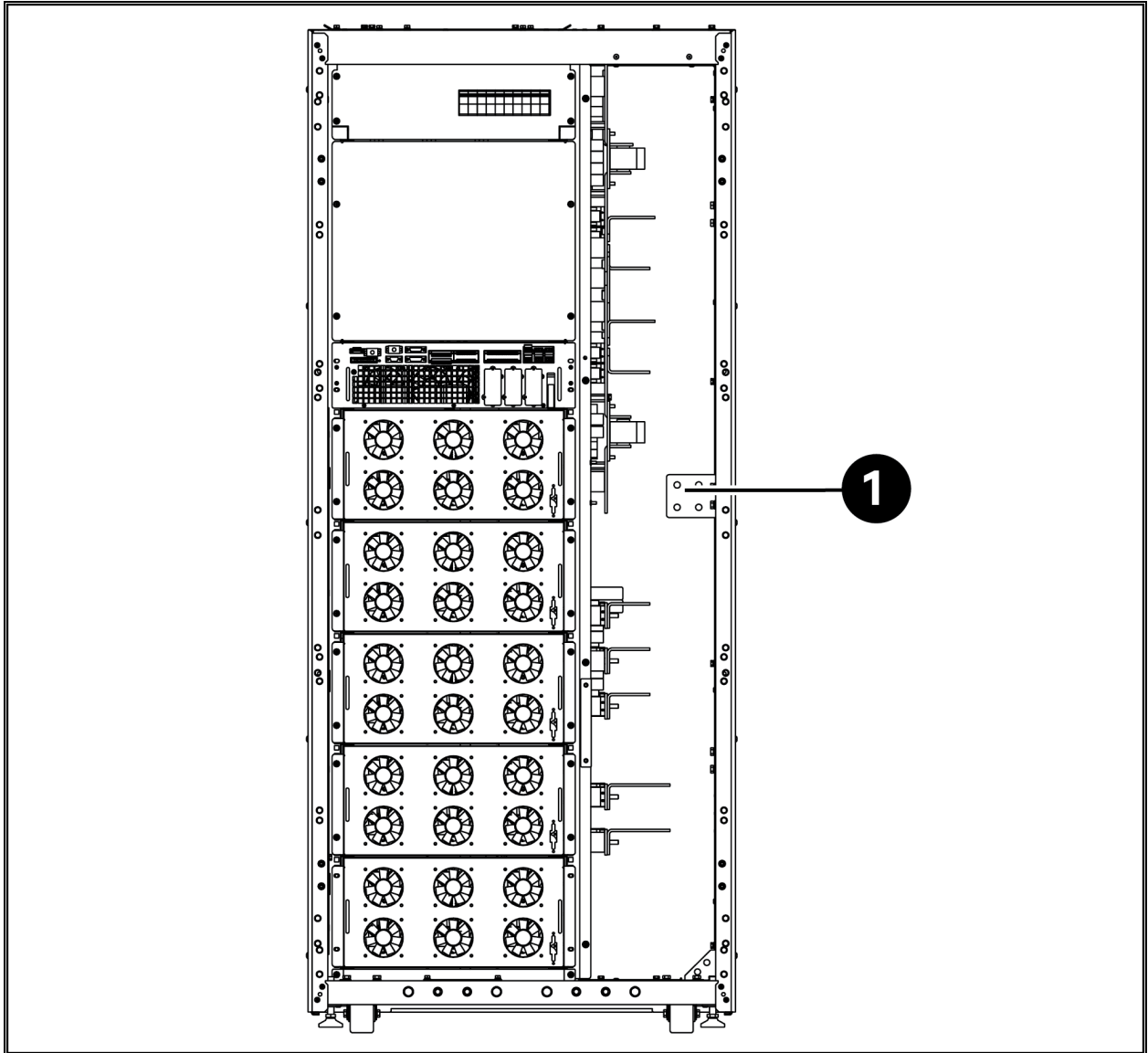
Item	Description
1	Bypass Fuses
2	Single Input Jumpers Remove for Dual Input Configurations
3	Rectifier Fuses

Figure 5.6 UPS Cable Connections-250kVA Unit



Item	Description	Item	Description
1	Rec B	7	Out A
2	Rec A	8	Out B
3	Byp A	9	Out C
4	Byp B	10	BAT +
5	Byp C	11	BAT-
6	Rec C		

Figure 5.7 Ground Busbar-250kVA Unit



Item	Description
1	Ground Lug

6 Option Installation

6.1 Vertiv™ Liebert® IntelliSlot Communication

The Vertiv™ Liebert® EXM has three Liebert® IntelliSlot ports to allow field-installation of optional communication cards. Liebert® IntelliSlot cards communicate via Vertiv's proprietary Velocity protocol to cards that translate the information into such protocols as SNMP and Modbus. Other cards provide dry contact signals for external signaling of operating status.

The Liebert® IntelliSlot communication ports may be installed or removed while the Liebert® EXM is operating.

6.2 Liebert® IntelliSlot Web Card—SNMP/HTTP Network Interface Card

This network interface card provides all real-time data and status information as SNMPv1 traps for connection to a 10/100-baseT Ethernet connection. The same card also will transmit the same status information and all measured parameters for display via a Web browser. The Liebert® IntelliSlot bays are on the right side of the control module and labeled as IntelliSlot1, IntelliSlot2 and IntelliSlot3.

Table 6.1 Liebert® EXM Communication Options

Port Type and Location	Labeled ID Name of Port	Monitoring Devices Supported
Port Type and Location	Labeled ID Name of Port	Monitoring Devices Supported
Left Liebert® IntelliSlot	Liebert® IntelliSlot 1	Vertiv™ Liebert® IS-Relay
		Vertiv™ Liebert® IS-Unity-DP *
		Vertiv™ Liebert® IS-Unity-LIFE *
		Vertiv™ Liebert® IS-485EXI *
Center Liebert® IntelliSlot	Liebert® IntelliSlot 2	Liebert® IS-Relay
		Liebert®IS-Unity-DP
		Liebert®IS-Unity-LIFE
		Liebert®IS-485EXI
Right Liebert® IntelliSlot	Liebert® IntelliSlot 3	Vertiv™ Liebert® IS-Relay
		Liebert®IS-Unity-DP
		Liebert® IS-Unity-LIFE
		Liebert® IS-485EXI
* Not applicable to HMI with push button controls.		

6.2.1 Liebert®IntelliSlot Unity Cards—Vertiv™ Liebert® IS-UNITY-LIFE,Vertiv™ Liebert® IS-UNITY-DP

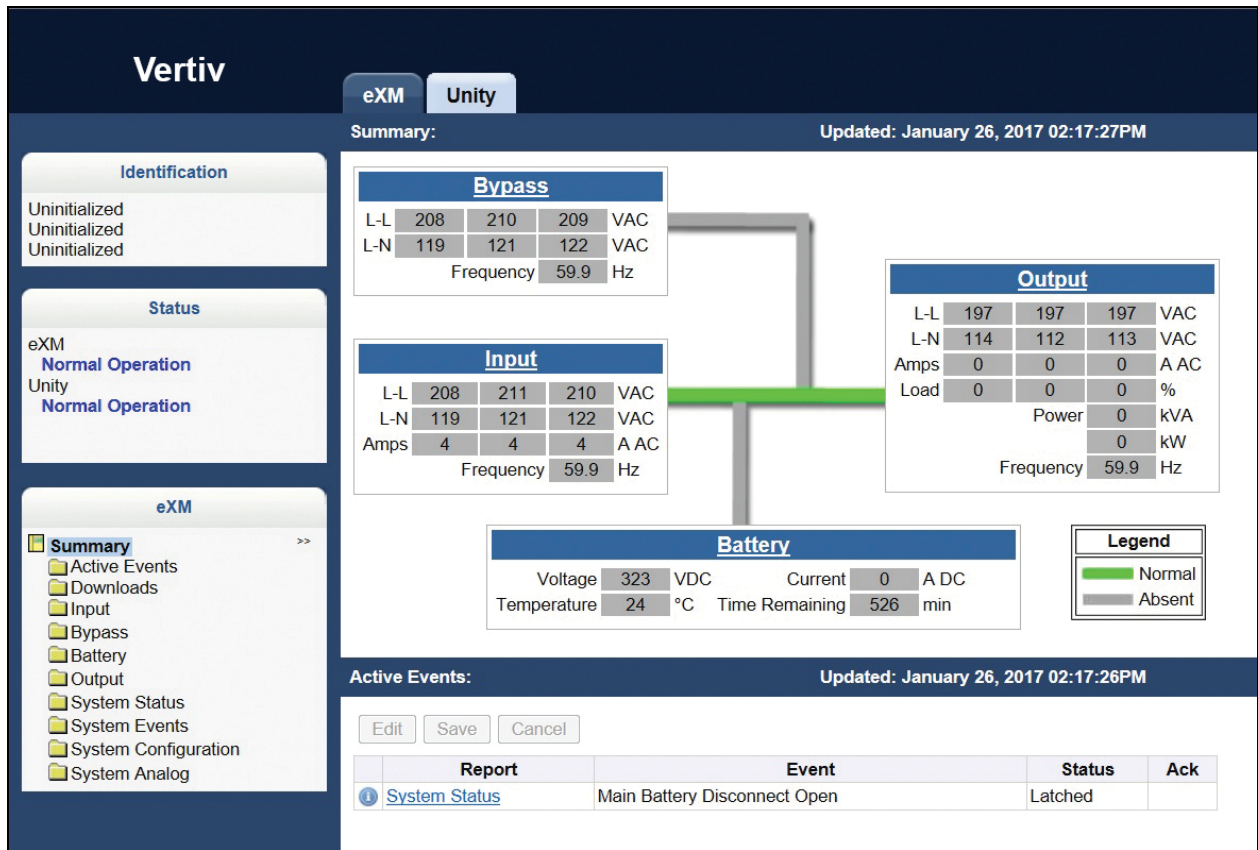
- Liebert® IS-UNITY-LIFE: This standard card is used for communication between the Liebert® EXM and Vertiv™ Liebert® *Trellis™* NMS and Vertiv™ LIFE™ services.
- Liebert® IS-UNITY-DP: This card can be used instead of the standard card if communication to two third-party platforms is required. Third-party platforms include SNMP and 485 (Modbus/BACnet) protocols. This card would still be used for communication between the Liebert® EXM and Liebert® *Trellis™* NMS and Vertiv™ LIFE™ Services. All communication protocols are active simultaneously.

- Vertiv™ Liebert® IntelliSlot Dry Contact Card (IS-RELAY): Provides dry contact alarm information, including: On Battery, On Bypass, Low Battery, Summary Alarm, UPS Fault and On UPS signals for communication to a remote monitoring system.
- IS-485EXI: The Liebert® IntelliSlot 485 EXI Card provides connection to a Vertiv™ Liebert® SiteLink-E allowing Vertiv™ Liebert® SiteScan® Web 4.0 monitoring and control of your Liebert equipment.

6.3 Liebert® IntelliSlot Web Card—Optional

An optional Web card is available that provides remote access to the UPS. A wide variety of status and summary information is available through an Ethernet connection.

Figure 6.1 Liebert® IntelliSlot Web card Display



6.4 Liebert® IntelliSlot Relay Card

The Liebert® IntelliSlot Relay card (IS-RELAY) provides voltage-free contact closures for remote monitoring of alarm conditions.

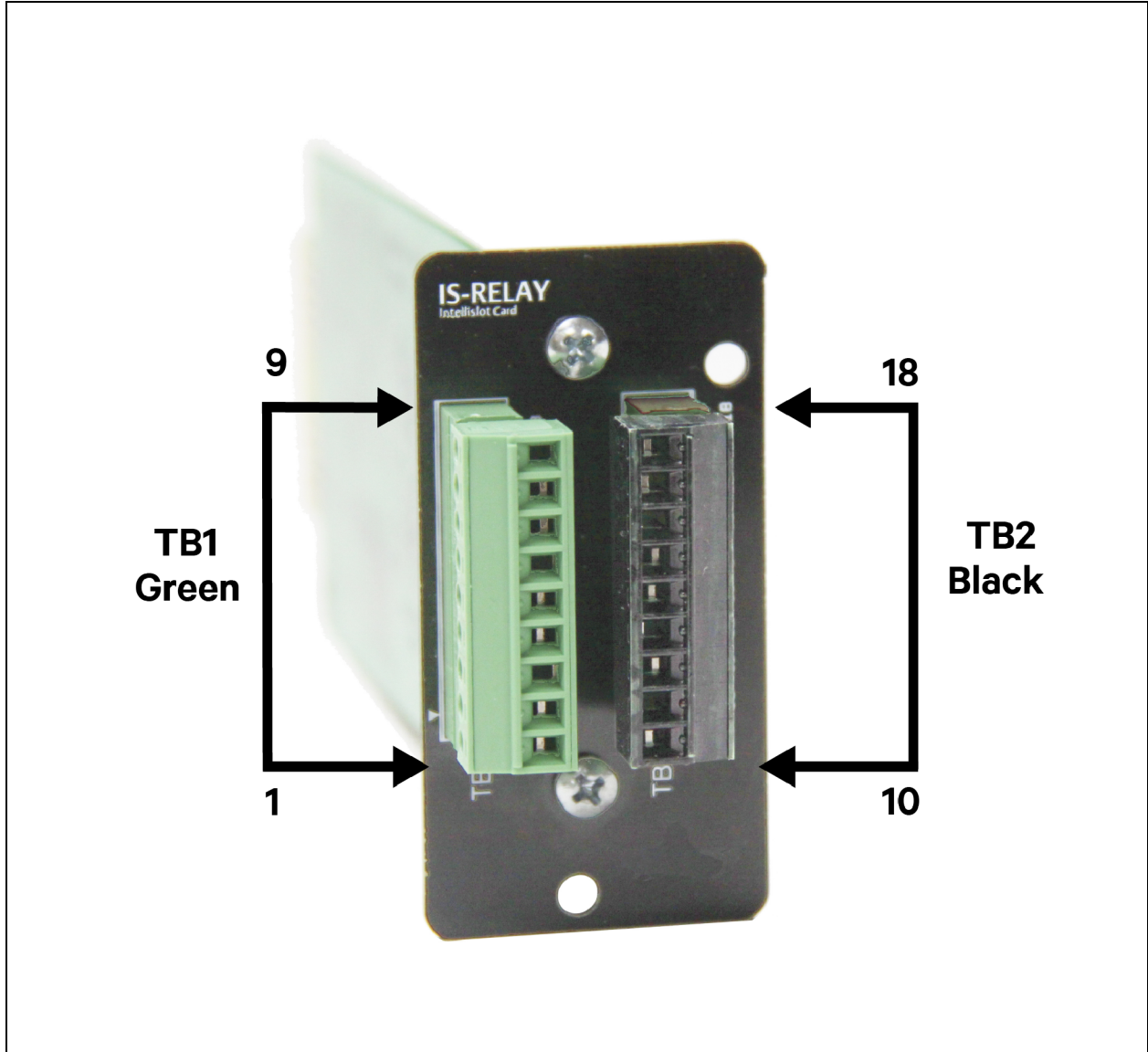
The easy-to-install card integrates with AS/400 computers (additional cable required) and other relay contact monitoring systems. It delivers signals for On Battery, On Bypass, Low Battery, Summary Alarm, UPS Fault and On UPS.

The relay card is rated for 24 VAC/DC at 1A and is supported in any of the three Liebert® IntelliSlot bays on the Liebert® EXM.

6.4.1 Vertiv™ Liebert® IntelliSlot Relay Card Pin Configuration

The card has two terminals blocks, TB1 (green, numbered 1-9) and TB2 (black, 10-18), as shown in Figure 6.2 below .

Figure 6.2 Pin Location and Numbering



Refer to your Liebert product user manual for the pin configuration for the terminal blocks.

Table 6.2 Relay Card Pin Configuration

Pin	Function	Operation
1	Common - Low Battery	
2	Low Battery	Closed if Low Battery point occurs.
3	Low Battery	Closed if battery is OK
4	Common - UPS Fault	

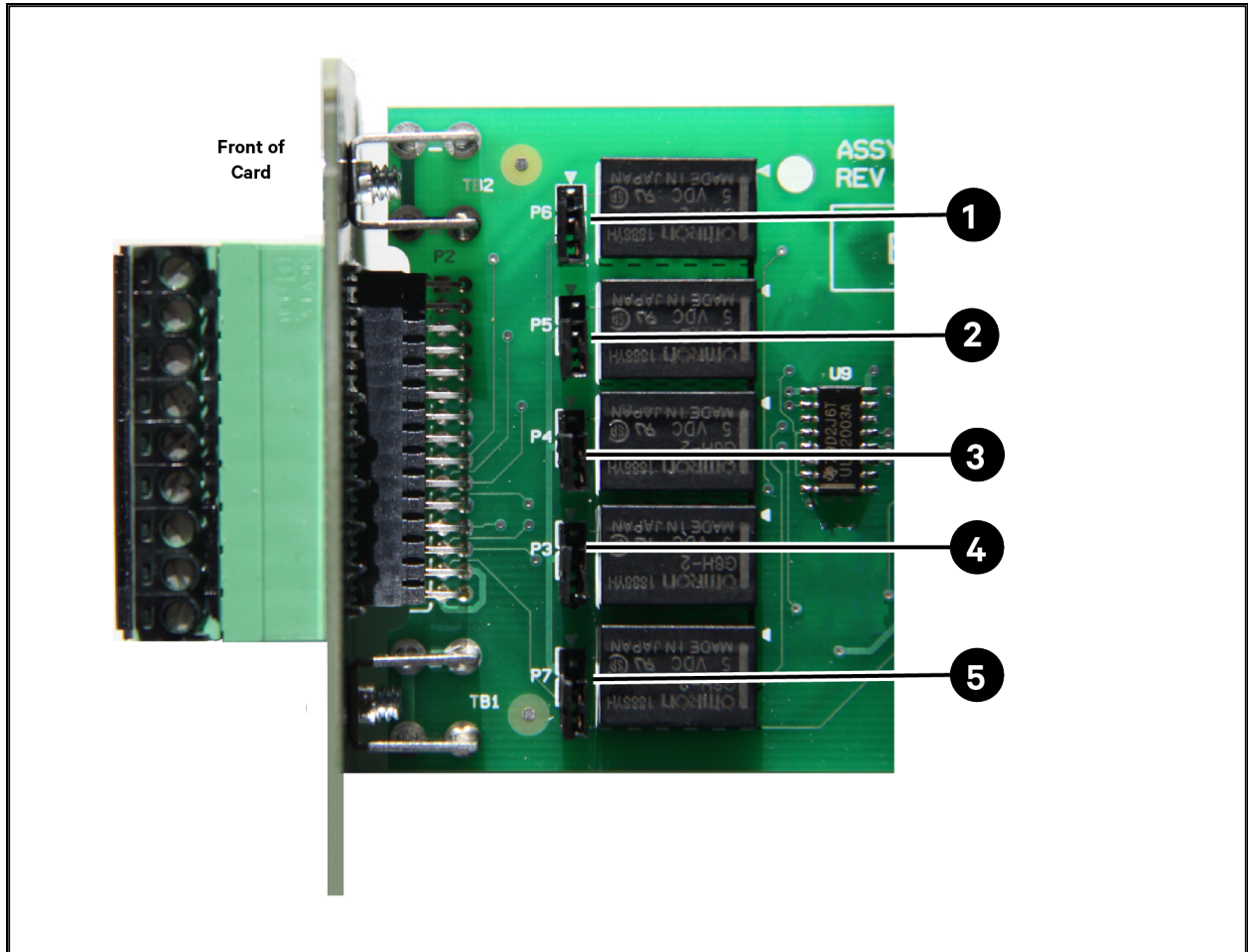
Table 6.2 Relay Card Pin Configuration (continued)

Pin	Function	Operation
5	UPS Fault	Closed if UPS fault occurs
6	UPS Fault	Closed if no UPS failure
7	Common - On Battery	
8	On Battery	Closed if On Battery power (Utility failure)
9	On Battery	Closed if not On Battery power (Utility OK)
10	Not Used	
11	Not Used	
12	Not Used	
13	Summary Alarm*	Closed if no alarm conditions are present
14	Summary Alarm*	Closed if Summary Alarm occurs
15	Common - Summary Alarm*	
16	On UPS	Closed if On UPS (inverter) power
17	On Bypass	Closed if On Bypass
18	Common - On Bypass	

6.4.2 Vertiv™ Liebert® IntelliSlot Relay Card Jumper Setup

The Liebert® IntelliSlot Relay Card has five jumpers, P3 through P7, as shown in **Figure 6.3** below . Each jumper connects two pins.

Figure 6.3 Jumper Location and Numbering



By default all five jumpers have shunts installed. The two pins are shunted together to provide the functions shown in **Table 6.3** below , allowing relay commons to be tied together.

The jumpers should be removed if there is any external voltage source that may intentionally or inadvertently be connected to the relay.

Removing the shunt from any two pins breaks the connection between the relay commons so they are not tied together.

Table 6.3 Jumper Connections

Item	Jumper	Relay
1	P6	On Battery
2	P5	UPS Fault
3	P4	Low Battery

Table 6.3 Jumper Connections (continued)

Item	Jumper	Relay
4	P3	On Bypass
5	P7	Summary Alarm

NOTE: Refer to the Vertiv™ Liebert® IntelliSlot Relay Card manual, SL-23211 for additional details. the document is available at the Vertiv Web site, www.vertiv.com.

7 Operation



WARNING! Risk of electrical shock. Can cause personal injury or death. This UPS has several circuits that are energized with high DC as well as AC voltages. Check for voltage with both AC and DC voltmeters before working within the UPS. Check for voltage with both AC and DC voltmeters before making contact. Only properly trained and qualified personnel wearing appropriate safety headgear, gloves, shoes and glasses should be involved in installing the UPS or preparing the UPS for installation. When performing maintenance with any part of the equipment under power, service personnel and test equipment should be standing on rubber mats.



AVERTISSEMENT! Risque de décharge électrique pouvant causer des blessures graves, voire mortelles. Ce système ASC comporte plusieurs circuits à haute tension c.a et c.c. Vérifiez les tensions au moyen de voltmètres c.a. et c.c. avant d'utiliser le système ASC. Vérifiez les tensions avec des voltmètres c.a. et c.c. avant d'établir tout contact. Seuls des employés qualifiés et dûment formés portant un casque, des gants, des chaussures et des lunettes de sécurité adéquats doivent se charger d'installer le système ASC ou de le préparer pour l'installation. Les responsables de l'entretien et l'équipement d'essai doivent reposer sur des tapis de caoutchouc lors de toute intervention sur une pièce d'équipement sous tension

The Vertiv™ Liebert® EXM operates in the modes shown in [Vertiv™ Liebert® EXM Operating Modes](#) on page 61. This section describes various kinds of operating procedures under each operating mode, including transfer between operating modes, UPS setting and procedures for turning on/off inverter. As shown in SL-25656, the Liebert® EXM Battery Cabinet manual, the AC utility source is supplied through the input breaker, and the rectifier converts the alternating current into DC power. The inverter converts the AC power from the utility—or DC power from an optional External Battery Cabinet—into AC power for the load. The batteries power the load through the inverter in the event of a power failure. The utility source can also power the load through the static bypass. If maintenance or repair of the UPS is necessary, the load can be switched without interruption in service using the optional Vertiv™ Liebert® MBC.

7.1 Touchscreen Control Panel

The Liebert® EXM's Touchscreen Control Panel is active whenever the UPS has input power. The touchscreen LCD on the front of the UPS permits:

- Logging in to the system
- Customizing the user interface
- Checking the status of the UPS and its external batteries, including all measured parameters, events and alarms
- Determining when users logged in and out
- Silencing alarms
- Turning the UPS On and Off
- Resetting faults
- Enabling Energy Saving Mode

Scan the QR code at right to obtain a copy of the Touchscreen Control Panel manual.



7.2 Access Level Log-In

The Touchscreen Control Panel provides security by limiting the authority to change how the UPS operates. Each of the four access levels offers different authority:

- **Observer**—Viewing permission only, can choose graphic or text display, view logs and silence alarms; no PIN required.
- **Operator**—Permission to start and shut down the UPS, edit the display layout, test the battery, reset faults, enable or disable Eco Mode operation, enable equalize battery charging and acknowledge alarms; PIN required.
- **Administrator**—All functions of Operator plus permission to change PIN's for Operator and Administrator level, configure the Status Gauge, set energy saving mode and change network communication protocols; PIN required.
- **Service**—All functions of Administrator plus permission to alter system configuration and change Service PIN; PIN required.

7.3 Default PIN's

Vertiv Services sets PIN's when setting up the UPS. These default PIN's may be changed by those with Administrator or Service access (see above). Default PIN's are:

- **Operator:** 1234
- **Administrator:** 2345

NOTICE

Risk of unauthorized changes to operational settings. Can cause equipment damage.

The default PIN numbers should be changed immediately to prevent unauthorized personnel from changing UPS operation or even shutting down the UPS. Refer to the Touchscreen Control Panel, SL-26200, available at the Vertiv Web site, www.vertiv.com for details.

7.4 Vertiv™ Liebert® EXM Operating Modes

The UPS is designed to operate as an on-line, double-conversion, reverse-transfer system in the following modes:

- Normal Mode
- Battery Mode
- Auto-Restart Mode
- ECO Mode
- Bypass Mode
- Module Redundancy Mode
- Frequency Converter Mode
- Power Conditioner Mode
- Maintenance Mode (Manual Bypass)
- Sleep Mode
- Paralleling Mode
- Output Voltage Adjustment
- Generator Mode

NOTE: The user controls and indicators referred to in these procedures are detailed in the UPS control panel manual, SL-26200, available at Vertiv's Web site, www.vertiv.com.

NOTE: The audible alarm may sound at various points during these procedures. It can be canceled at any time by pressing the menu button (under any login), pressing Alarms and then pressing Alarms.

NOTE: This unit refers to some modes and conditions that are set or adjusted using proprietary service software. To take advantage of all the available features for the Liebert® EXM, the unit must be commissioned by a Vertiv-authorized engineer.

Normal Mode

Operating in normal mode, the Liebert EXM's rectifier derives power from a utility AC source and supplies regulated DC power to the inverter, which regenerates precise AC power to supply the connected equipment. The rectifier also uses the utility source power to charge the batteries.

Module Redundancy Mode

When the Liebert® EXM is in module redundancy mode, the load percentage is calculated using the available power module capacity or nameplate rating capacity, whichever capacity is lower.

Module redundancy mode can be set at the factory or by the user. A maximum of one module can be set for redundancy. Availability of this feature depends on module capacity of the frame. Refer to the UPS control manual, SL-26200, for instructions on setting this feature. The manual is available at Vertiv's Web site, www.vertiv.com

Example 1

- Four 50kVA power modules installed
- Nameplate rating capacity = 150 kVA
- One power module in redundant mode
- Configured capacity = 150kVA
- Load = 150kVA

Load percentage will be calculated based on nameplate rating capacity = 150kVA capacity. In the event of a single power module fault, the system will signal a Loss of Redundancy Alarm and a Power Hardware Mismatch and continue in double-conversion mode and provide up to 150kVA capacity.

Example 2

- Four 50kVA power modules installed
- Nameplate rating capacity = 200kVA
- One power module in redundant mode
- Configured capacity = 150kVA
- Load = 150kVA

Load percentage will be calculated based on available power module capacity = 200kVA capacity. In the event of a single power module fault, the system will signal a Loss of Redundancy Alarm and a Power Hardware Mismatch Alarm. The system will continue in double-conversion mode and provide up to 150kVA capacity.

Example 3

- Four 50kVA power modules installed
- Nameplate rating capacity = 200kVA
- One power module in redundant mode
- Configured capacity = 150kVA
- Load = 175kVA

Load percentage will be calculated based on available power module capacity = 200 kVA capacity. The system will signal a Loss of Redundancy Alarm. The system will continue in double-conversion mode and provide up to 200kVA capacity.

Frequency Converter Mode

When the Vertiv™ Liebert® EXM is set to Frequency Converter Mode permits configuring the unit for 50Hz output, bypass is disabled and battery is optional to support load. This mode can only be enabled at the factory or by Vertiv Services.

Power Conditioner Mode

When Liebert® EXM is set to Power Conditioner Mode, the battery is disabled in this mode. This mode can only be enabled at the factory or by Vertiv Services.

Battery Mode—Requires Optional External Battery Cabinet

When utility AC power fails, the Liebert® EXM protects the critical load by instantaneously channeling battery power from optional External Battery Cabinets to the inverter, which continues supporting the critical load without interruption. When utility power returns and is within acceptable limits, the Liebert® EXM automatically shifts back to Normal mode, with the rectifier powering the critical load.

Auto-Restart Mode

The battery may become exhausted following an extended AC utility failure. The inverter shuts down when the battery reaches the End of Discharge voltage (EOD). The UPS may be programmed to “Auto Recovery after EOD” after a delay time if the AC utility recovers. This mode and any delay time may be programmed by the commissioning engineer.

Bypass Mode

When the Vertiv™ Liebert® EXM is in bypass mode, the load is directly supported by utility power and is without battery backup protection.

The Liebert® EXM's static transfer switch will shift the load from the inverter to bypass mode without interruption in AC power if the inverter is synchronous with the bypass and any of the following occurs:

- Inverter fails.
- Inverter overload capacity is exceeded.
- Inverter is manually turned off by user.

NOTE: If the inverter is asynchronous with the bypass, the static switch will transfer the load from the inverter to the bypass WITH interruption in AC power to the critical load. This interruption will be less than 13.33ms in 60Hz. This interruption time may be altered by modifying the Output transfer interrupt time setting.

ECO Mode (Single-Module UPS System Only)

When ECO mode is selected, the Liebert® EXM switches inverter power from the UPS input to the bypass input to save energy by improving UPS efficiency. In this mode, the bypass is the preferred source. If the bypass voltage or frequency becomes outside preset limits, the UPS load is transferred back to the inverter.

Maintenance Mode

For maintenance or repair, the Liebert® EXM may be operated in maintenance mode. To place the Liebert® EXM in maintenance mode, follow the instructions in [Switching the UPS from Normal Operation to Maintenance Bypass](#) on page 65.



WARNING! Risk of arc flash and electric shock. Can cause equipment damage, injury and death. The UPS input and output must be protected with external overcurrent protection devices. In maintenance mode, the input and output busbars remain energized and present an electric shock hazard.



AVERTISSEMENT! Risque d'arc ou de décharge électrique pouvant entraîner des dommages matériels, des blessures et même la mort. L'entrée et la sortie du système ASC doivent être protégées par des dispositifs de protection de surintensité externes. En mode d'entretien, les barres omnibus d'entrée et de sortie demeurent sous tension et présentent un risque de décharge électrique.

Output Voltage Adjustment

This feature allows a Liebert Customer Engineer to adjust the Liebert® EXM's output voltage over a range of -5% to +5% of nominal. The output voltage adjustment can be used to compensate for any drop in line voltage that may occur when the UPS is a significant distance from the protected load. In addition, it can be used to optimize the UPS output voltage for loads that operate more efficiently at a voltage different from the nominal Liebert® EXM output voltage.

Generator Mode

The Liebert® EXM UPS can be set up for operation in Generator Mode by a Vertiv Services engineer. The setup requires connecting J26 Pin 2 to Pin 4. The battery charger is disabled in Generator Mode.

7.5 UPS Start-up

The Vertiv™ Liebert® EXM must be fully installed and commissioned before start-up, and external power isolators must be closed. Once those general conditions are met, the UPS may be started.



WARNING! Risk of electrical shock and arc flash. Can cause property damage, injury and death. During this procedure the output terminals will become live.

If any load equipment is connected to the UPS output terminals, please check with the load user and ascertain whether it is safe to apply power to the load. If the load is not ready to receive power, then ensure that it is safely isolated from the UPS output terminals.



AVERTISSEMENT! Risque d'arc ou de décharge électrique pouvant entraîner des dommages matériels, des blessures et même la mort.

Durant cette procédure, les bornes de sortie seront sous tension.

Si un équipement chargé est raccordé aux bornes de sortie du système ASC, veuillez vous informer auprès de l'utilisateur de la charge s'il est sécuritaire d'appliquer une alimentation à la charge. Si la charge n'est pas prête à recevoir une alimentation, alors assurez-vous qu'elle est isolée sécuritairement des bornes de sortie du système ASC.

NOTICE

Risk of improper startup when feeding a downstream transformer. Can cause damage to connected equipment. If the UPS is supplying a downstream transformer not provided by Liebert®, the UPS should be put on maintenance bypass to energize it to mitigate the risk of in-rush current.

7.5.1 Startup Procedure

To start the UPS from a fully powered-down condition:

1. Log in as Operator, Administrator or Service.
2. Ensure that the Liebert® power module assembly ready switches are latched (in Down position).
3. Close the external input circuit breaker and connect input power. The touchscreen activates.
4. The rectifier goes through its startup sequence and the bypass static switch is activated.
5. Close the external output circuit breaker.
6. Touch the OPERATE tab.
7. Touch the Inverter On button. When asked to confirm, touch On again.

The power module run lights will start flashing green while the unit goes through the inverter startup sequence. After about a minute, the inverter will turn On, the static bypass will open and the power module run lights will be solid green.

8. Close the battery breaker.

7.5.2 Start-up in Eco Mode

Eco Mode is available only on a single-module Vertiv™ Liebert® EXM.

1. Log in as Operator, Administrator or Service.
2. Touch the OPERATE tab.
3. Touch Energy Saving Mode Activation Setup.
4. In the drop-down menu, touch Enable.
5. Touch Save.

The UPS should now be in Ostatic bypass mode with the inverter on standby. The status bar at the top of the screen will say ENERGY SAVING MODE ACTIVE.

7.5.3 Switching Between UPS Operation Modes

To switch from Normal Mode to Static Bypass Mode

1. Log in as Operator, Administrator or Service.
2. Touch the OPERATE tab.
3. Touch Inverter Off button to switch to Bypass Mode.
4. To continue, confirm turning Off the inverter when prompted.

NOTE: In Static Bypass Mode, the load is being powered by the utility and is not protected from fluctuations in input power: spikes, sags and failure.

To switch from Bypass Mode To Normal Mode

1. Log in as Operator, Administrator or Service.
2. Touch the OPERATE tab.
3. Touch Inverter On button.

To continue, confirm turning On the inverter when prompted.

7.6 Switching the UPS from Normal Operation to Maintenance Bypass

Follow the procedure below to transfer the load from the UPS inverter output to the Maintenance Bypass system.

NOTICE

Risk of loss of power to the connected load. Can cause equipment damage.

This procedure must be performed by properly trained and qualified personnel who are knowledgeable about the operation of this system. Failure to follow these instructions will result in loss of power and possible damage to critical equipment.

Before performing this operation, read any messages on the touchscreen to be sure that bypass supply is regular and the inverter is synchronous with it. If those conditions are not present, there is a risk of a short interruption in powering the load.

This procedure assumes that UPS is operating normally.

1. Log in as Operator, Administrator or Service.
2. Touch the *OPERATE* tab.
3. Touch the *Inverter Off* button.
4. To continue, confirm turning Off the inverter when prompted.

NOTE: Pressing Silence from the OPERATE tab cancels the audible alarm, but leaves the warning message displayed until the appropriate condition is rectified.

5. Open the Vertiv™ Liebert® MBC door to gain access to the Bypass Isolation Breaker (BIB), Maintenance Bypass Breaker (MBB) and Maintenance Isolation Breaker (MIB).
6. When the lamp indicator on the Liebert® MBC is illuminated, press and hold the adjacent push button and remove the Key from the lock (KO).
7. Insert the Key into the lock on the MBB and turn the Key.
8. Close the *MBB*.
9. Verify the *MBB is closed*. Failure to close the MBB will interrupt power to the load.
10. Open the *MIB*.
11. Remove the *key* from the lock on the MIB. Insert the key into the lock (KO) and turn the key.
12. The UPS system is now isolated from the critical load.
13. For a single-input system, the bypass isolation breaker (BIB) remains closed; this allows power to remain present at the UPS input; refer to **Figure 7.1** on the facing page .
14. For a single-source, dual-input system, the bypass isolation breaker (BIB) can be opened to further isolate the UPS from input power; refer to **Figure 7.2** on page 70 .



WARNING! Risk of electrical shock and arc flash. Can cause property damage, injury and death.
Wait 5 minutes for the internal DC busbar capacitors to discharge before attempting to remove the internal protective barriers.



AVERTISSEMENT! Risque d'arc ou de décharge électrique pouvant entraîner des dommages matériels, des blessures et même la mort.
Attendez 5 minutes que les condensateurs de barre omnibus c.c. internes se déchargent avant d'essayer de retirer les barrières de protection internes.



WARNING! Risk of electrical shock and arc flash. Can cause property damage, injury and death.
Even with the UPS in maintenance bypass and Off, portions of the Vertiv™ Liebert® EXM system are still energized. Service must be performed by properly trained and qualified personnel only.



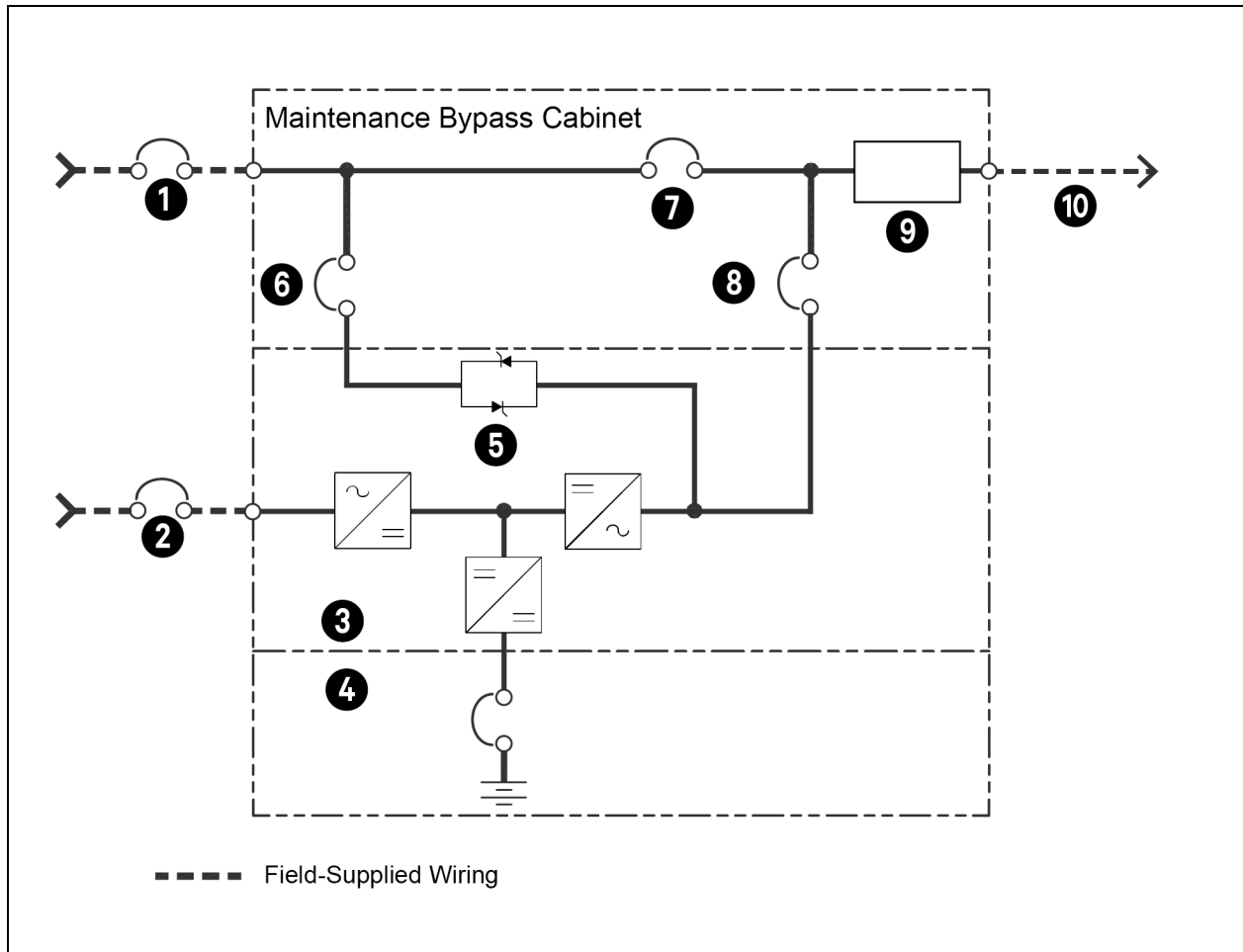
AVERTISSEMENT! Risque d'arc ou de décharge électrique pouvant entraîner des dommages matériels, des blessures et même la mort.
Même lorsque le système ASC est en mode de dérivation d'entretien et hors tension, des parties du système EXM de Liebert® demeurent sous tension. L'entretien ne doit être confié qu'à un personnel qualifié et dûment formé.

NOTICE

Risk of power loss to connected load. Can cause damage to equipment.

The load equipment is not protected from normal supply aberrations when the Vertiv™ Liebert® EXM is operating in the maintenance bypass mode.

Figure 7.1 One-line Diagram, Single-Input UPS with 3-Breaker Maintenance Bypass Cabinet and Panelboard



Item	Description	Item	Description
1	* Bypass AC Input 3-Wire + GND	6	BIB (Bypass Isolation Breaker)
2	* Rectifier AC Input 3-Wire + GND	7	MBB (Maintenance Bypass Breaker)
3	UPS Cabinet	8	MIB (Maintenance Isolation Breaker)
4	Battery	9	Output Bus
5	Static Bypass	10	AC Output 480V 3-Wire + GND
* External Overcurrent Protection by Others			

NOTES TO FIGURE:

1. Install in accordance with national and local electrical codes.
2. Input and bypass must share the same single source.

3. Bypass and rectifier input and output cables must be run in separate conduits.
4. Control wiring must be run in separate conduits.
5. Internal battery breaker is optional on units with internal batteries; battery breaker is factory-supplied with external Vertiv battery cabinets.

7.7 Switching the UPS from Maintenance Bypass to Normal Operation

Follow the procedure below to transfer the load from the Maintenance Bypass system to the UPS inverter output. These conditions must be met for this operation to proceed:

- The UPS must be operating normally.
- The BIB breaker must be closed.
- The UPS system must be in the Maintenance Bypass mode of operation.

NOTICE

Risk of loss of power to the connected load. Can cause equipment damage.

This procedure must be performed by properly trained and qualified personnel who are knowledgeable about the operation of this system. Failure to follow these instructions will result in loss of power and possible damage to critical equipment.

Before performing this operation, read any messages on the touchscreen to be sure that bypass supply is regular and the inverter is synchronous with it. If those conditions are not present, there is a risk of a short interruption in powering the load.

1. Verify that the Vertiv™ Liebert® EXM is in Maintenance Bypass Mode.

NOTE: Pressing the Alarm Silence Switch cancels the audible alarm, but leaves the warning message displayed until the appropriate condition is rectified.

2. Open the Vertiv™ Liebert® MBC door to gain access to the bypass isolation breaker (BIB), maintenance bypass breaker (MBB) and the maintenance isolation breaker (MIB).
3. When the Lamp indicator on the Liebert® MBC is illuminated, press and hold the adjacent push button and remove the key from the lock (KO).
4. Insert the *key* into the lock on the MIB, and turn the key.
5. Close the *MIB*.
6. Verify the *MIB* is closed. Failure to close the MIB will interrupt power to the load.
7. Open *MBB*.
8. Remove the *key* from the lock on the MBB.
9. Insert the *key* into the lock (KO) and turn the key.

The UPS system is now supplying power to the critical load.

10. Log in as *Operator, Administrator or Service*.
11. Touch the *OPERATE* tab.
12. Touch the *Inverter On* button.
13. To continue, confirm turning On the inverter when prompted.

7.8 De-Energize Vertiv™ Liebert® EXM with Maintenance Bypass Cabinet

NOTICE

Risk of loss of power to the connected load. Can cause equipment damage.

This procedure must be performed by properly trained and qualified personnel who are knowledgeable about the operation of this system. This procedure will remove power from the critical bus.

Take precautions by providing a backup power supply or shutting down equipment before de-energizing the Liebert® EXM.

To de-energize the system:

1. Log in as Operator, Administrator or Service.
2. Touch the OPERATE tab.
3. Touch the Inverter Off button.
4. To continue, confirm turning Off the inverter when prompted.
5. Open all battery circuit breakers(s) including the internal battery breaker (if applicable).
6. If the MBC is a Vertiv cabinet, open the Maintenance Isolation Circuit Breaker (MIB). If the MBC is a customer-issued switchgear or a non-Vertiv cabinet, open the breaker(s) that supply power to the critical bus.
7. Open the Rectifier Input Circuit Breaker and Bypass Input Breaker (if dual input). If the MBC is a customer-issued switchgear or a non-Vertiv cabinet, open the breaker(s) that supply power to the UPS input and bypass input (if dual input).
8. Allow 5 minutes for all DC circuits and capacitors to fully discharge.
9. Open the external feeder breaker to the MBC or bypass switchgear.
10. Install a Lockout/Tagout on the external feeder breaker to the MBC or bypass switchgear.
11. Use a digital multimeter to verify there is no AC or DC voltage present at the UPS input, output and bypass bus bars.
12. Use a digital multimeter to verify there is no AC or DC voltage present at the MBC BIB, MIB and MBB breakers.

7.9 De-Energize Liebert® EXM without Maintenance Bypass Cabinet

NOTICE

Risk of loss of power to the connected load. Can cause equipment damage.

This procedure must be performed by properly trained and qualified personnel who are knowledgeable about the operation of this system. This procedure will remove power from the critical bus.

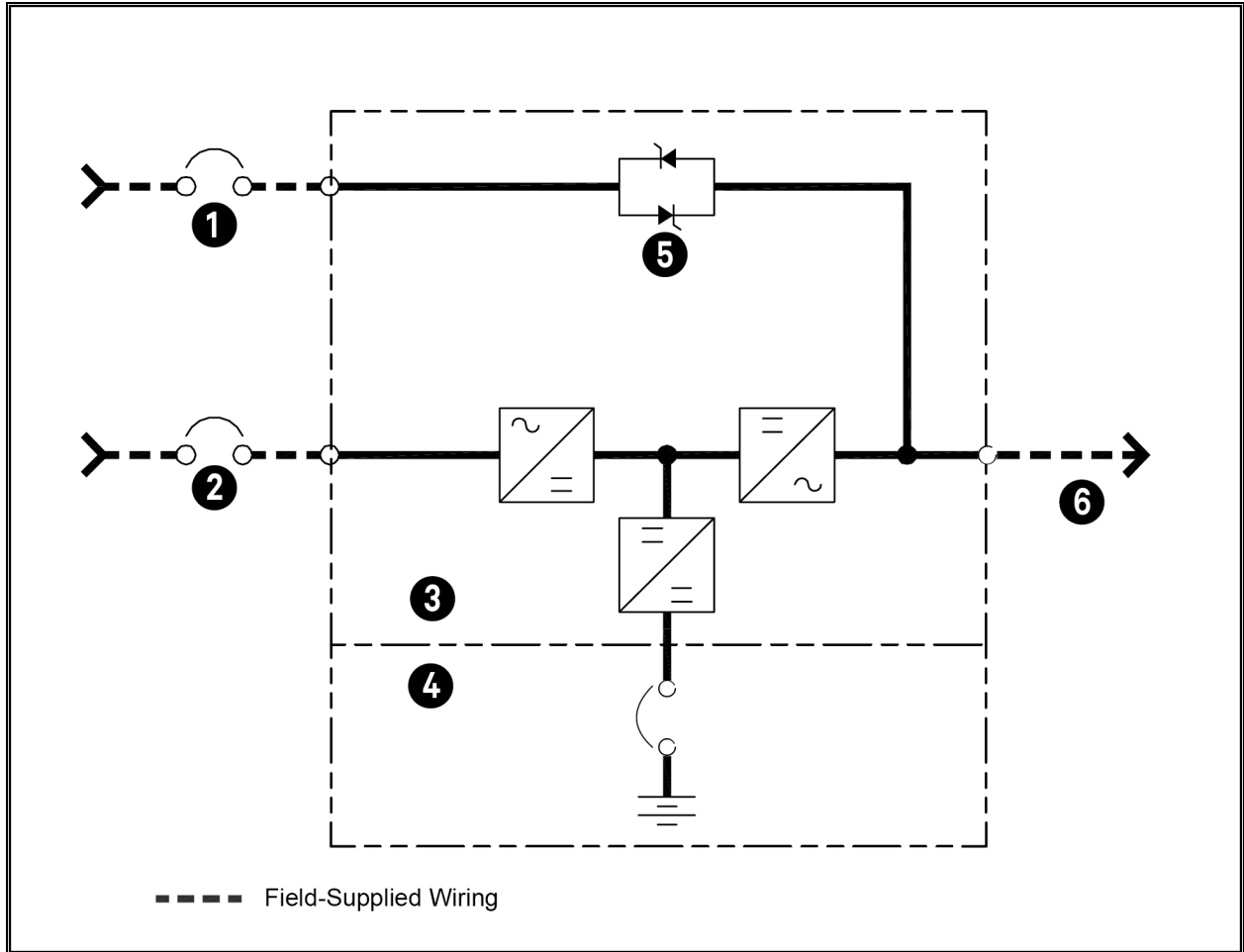
Take precautions by providing a backup power supply or shutting down equipment before de-energizing the Liebert® EXM.

To de-energize the Liebert® EXM:

1. Log in as *Operator, Administrator or Service*.
2. Touch the *OPERATE* tab.
3. Touch the *Inverter Off* button.
4. To continue, confirm turning Off the inverter when prompted.
5. Open all *battery circuit breaker*(s) including the internal battery breaker (if applicable).

6. Open the *UPS output circuit breaker(s)*.
7. Open the *UPS input circuit breaker* and *bypass circuit breaker* (dual input systems only).
8. Allow 5 minutes for all DC circuits and capacitors to fully discharge.
9. Use a digital multimeter to verify there is no AC or DC voltage present at the UPS input, output and bypass busbars.

Figure 7.2 Typical Configuration for Single UPS



Item	Description	Item	Description
1	* Bypass AC Input 3-Wire + GND	4	Battery
2	* Rectifier AC Input 3-Wire + GND	5	Static Bypass
3	UPS	6	AC Output 480V 3 Wire + GND
* External Overcurrent Protection By Others			

NOTES TO FIGURE:

1. Install in accordance with national and local electrical codes.
2. Input and bypass must share the same single source.
3. Bypass and rectifier inputs and output cables must be run in separate conduits.
4. Control wiring must be run in separate conduits.

- Customer must supply shunt trip breakers with 480V coils to the bypass and rectifier inputs.

7.10 Parallel Operations—Determine Control Panel Firmware Version

Parallel operation differs depending on the firmware in the control menu. To determine which version is installed on the UPS, activate the touchscreen menu, touch the *Context Menu* and touch *About*.

If the firmware is V1.1, perform the appropriate steps in [Parallel Operations—Control Panel Firmware Version 1.1](#) below.

Figure 7.3 Context Menu



7.11 Parallel Operations—Control Panel Firmware Version 1.1

7.11.1 De-Energize a Vertiv™ Liebert® EXM Parallel System—Control Panel Firmware Version 1.1

To shut down a UPS parallel system using V1.1 controller firmware:

- Log in as *Operator, Administrator or Service*.
- Verify that the *system* and the *connected load* are prepared for shutdown.
- Touch the *OPERATE* tab.
- Touch the *Inverter Off button*. A pop-up window states that the system is operating in a multi-module system and asks whether to control one inverter or the entire system.
- Touch *System*.
The power module run lights will start flashing yellow while the unit goes through the inverter shutdown sequence. After a few seconds, the inverter will turn Off, the static bypass will close and the power module run lights will be Off. All UPS units in the system will go to bypass.
- Check the *parallel switchgear*.

NOTICE

Risk of loss of power to the connected load. Can cause equipment damage.

The following procedure will remove power from the critical bus. Before beginning these steps, shut down the connected load or transfer the connected load to an input power supply not dependent on the Liebert® EXM system that is being de-energized.

- If the parallel switchgear is a matching Vertiv cabinet, open the Maintenance Isolation Circuit Breaker (MIB).
 - Open all Module Output Breakers (MOB).
- Open the *input breaker* for each UPS and the breaker feeding the Maintenance Bypass Breaker (MBB) in the parallel switch gear.

The system is now de-energized, and its output power supply is Off.

7.11.2 Re-Energize a Vertiv™ Liebert® EXM Parallel System—Control Panel Firmware Version 1.1

To restart Liebert® EXM parallel system from a fully powered-down condition using V1.1 controller firmware:

1. Log in as *Operator, Administrator or Service*.
2. Close the *input breakers* for all UPS's.
3. The LCD on each UPS will turn On and the LCD icons will begin flashing green, and the rectifier will start. The bypass and output icons will illuminate green.

The battery LED will illuminate red.

4. Close the *Module Output Breakers (MOB)* circuit breaker to each UPS.
5. Close the *MIB circuit breaker*.



WARNING! Risk of electric shock. Can cause equipment damage, injury and death.

The following procedure will supply power to the critical bus. Before beginning, notify all personnel that input power is being supplied to the circuits. Verify that the connected load is prepared for input current

6. Touch the *OPERATE* tab
7. Touch the *Inverter On* button. A pop-up window states that the system is operating in a multi-module system and asks whether to start one inverter or the entire system.
8. Touch *System*.
The LCD icons will start flashing green while the unit goes through the inverter startup sequence. After about a minute, the inverter will turn On, the static bypass will open and the icons will be solid green.
9. Close all *battery breakers*.

7.12 Emergency Shutdown with EPO

This circuit has been designed to switch Off the UPS in emergency conditions (e.g., fire, flood, etc.). The system will turn Off the rectifier, inverter and stop powering the load immediately (including the inverter and bypass), and the battery stops charging or discharging.

If the input utility is present, the UPS's controls will remain active; however, the output will be turned Off. To remove all power from the UPS, the external feeder breaker should be opened.

7.13 Auto Restart

When the main and bypass sources fail, the UPS draws power from the battery system to supply the load until the batteries are depleted. The UPS will shut down when the battery system reaches its end of discharge (EOD) threshold.

The UPS will automatically restart and enable output power:

- After utility power is restored.
- If Auto Recovery after EOD Enabling is enabled in the UPS configuration (set at the factory or by Vertiv Services).
- After the Auto Recovery after EOD Delay Time expires (the default delay is 10 minutes).

During the auto recovery delay, the Liebert® EXM will be charging its batteries to provide a safety margin for equipment shutdown if input power fails again.

If the Auto Recovery after EOD Enabling feature is disabled, the system must be restarted manually.

7.14 Reset after Shutdown for Emergency Stop or Other Conditions

Once all appropriate measures have been taken to correct the problem indicated by the alarm message appearing on the Operator Control Panel, carry out this procedure to restore the UPS to regular operation following an EPO action or for the following reasons: Inverter Overtemperature, Cut-Off Overload, Battery Overvoltage, excessive switching (BYP: XFER COUNT BLOCK), etc.

When the user confirms that the fault is cleared:

1. Log in as *Operator, Administrator or Service*.
2. Touch the *OPERATE* tab.
3. Touch the *yellow Reset button* to clear the emergency power Off state.
4. Press the *Inverter On button* on the right side of the Operator Control Panel for longer than 2 seconds (after the rectifier has qualified).

NOTE: The rectifier will start automatically 5 minutes after the of overtemperature fault is cleared.

After the EPO button is pressed, if the input utility is removed, the UPS will shut down completely. When input utility is restored, the EPO condition will clear, and the UPS will enable the static bypass and restore the output.

7.15 Battery Protection

7.15.1 Battery Undervoltage Warning

Before the end of discharge, the Vertiv™ Liebert® EXM displays a low battery warning. After this warning, the battery has the capacity for 5 minutes discharging with full load (default time). The Liebert® EXM can be user-configured to display this warning from 3 to 60 minutes before end-of-discharge.

7.15.2 Battery End-of-Discharge (EOD) Protection

If the battery voltage is lower than the end-of-discharge voltage, the battery converter will be shut down. Refer to

Table 8.10 on page 78 for battery circuit details.

7.16 Operation



WARNING! Risk of electrical shock and arc flash. Can cause property damage, injury and death.
The Liebert® EXM contains high voltages internally. Components that can only be accessed by opening the protective cover with tools cannot be serviced or replaced by the user.
Only properly trained and qualified service personnel are authorized to remove the protective covers.



AVERTISSEMENT! Risque d'arc ou de décharge électrique pouvant entraîner des dommages matériels, des blessures et même la mort.
L'armoire Liebert® EXM contient des tensions élevées à l'interne. L'utilisateur ne peut ni entretenir ni remplacer des composants accessibles uniquement en ouvrant le couvercle de protection avec des outils.
Seul du personnel de service qualifié et dûment formé est autorisé à retirer les couvercles de protection.

The Liebert® EXM operates in the modes shown in **Table 7.1** on the next page . This section describes various kinds of operating procedures under each operating mode, including transfer between operating modes, UPS setting and procedures for turning on/off inverter.

Table 7.1 UPS Operating Modes

Operating Mode		Description
Normal Mode	NORMAL	UPS powers the load.
Bypass Mode	BYPASS	The load power supply is provided by the static bypass. This mode can be regarded as a temporary transition mode between the normal mode and maintenance bypass mode, or a temporary abnormal operating status.
Maintenance Mode	MAINT	UPS shuts down, the load is connects to the mains through the Liebert® MBC. In this mode the load is not protected against abnormal input utility power.

As shown in SL-25656, the Vertiv™ Liebert® EXM Battery Cabinet manual, the AC utility source is supplied through the input breaker, and the rectifier converts the alternating current into DC power. The inverter converts the AC power from the utility—or DC power from an optional External Battery Cabinet—into AC power for the load. The batteries power the load through the inverter in the event of a power failure. The utility source can also power the load through the static bypass.

If maintenance or repair of the UPS is necessary, the load can be switched without interruption in service using the optional Vertiv™ Liebert® MBC.

7.17 Static Bypass Switch

The circuit block labeled “Static Bypass” contains an electronically controlled switching circuit that enables the critical load to be connected to either the inverter output or to a bypass power source via the static bypass line. During normal system operation, the load is connected to the inverter and the inverter contactor is closed; but in the event of a UPS overload or inverter failure, the load is automatically transferred to the static bypass line.

To provide a clean (no-break) load transfer between the inverter output and static bypass line, the static switch activates, connecting the load to bypass. To achieve this, the inverter output and bypass supply must be fully synchronized during normal operating conditions. This is achieved through the inverter control electronics, which make the inverter frequency track that of the static bypass supply, provided that the bypass remains within an acceptable frequency window.

NOTE: When the UPS is operating in static bypass mode or on maintenance bypass, the connected equipment is not protected from power failures or surges and sags.

8 Specifications and Technical Data

8.1 Conformity and Standards

The Vertiv™ Liebert® EXM has been designed to conform to the following standards:

- Safety UL 1778, 5th Edition, CSA 22.2 107.3-14 Surge IEC 61000-4-5 Criteria B
- Harmonics IEC 61000-3-4 Electrical Fast Transient IEC 61000-4-4, Criteria B
- ESD IEC 61000-4-2, Criteria B
- FCC Part 15, Class A Radiated Immunity IEC 61000-4-3, Criteria A
- Conducted Immunity IEC 61000-4-6, Criteria A Low-Frequency Signals IEC 61000-2-2 Criteria A
- Transportation ISTA Procedure 1H
- ISO 9001
- Misc OSHA, ASME, NEMA PE-1

The Liebert® EXM has UL and c-UL approval.

8.1.1 ENERGY STAR Certification

The Liebert® EXM UPS is ENERGY STAR certified satisfying “ENERGY STAR Program Requirements Product Specification for Uninterruptible Power Supplies (UPS) - Eligibility Criteria, Version 2.0.

8.2 UPS Environmental Requirements

The Liebert® EXM is designed to operate under the following environmental conditions without damage or degradation in electrical operating characteristics:

Table 8.1 Environmental Requirements

Item	Requirements
Acoustical Noise, dBA, at 55 in. (1.4m)	<69
Operating Altitude	4922 ft. (1500m) above mean sea level. (1% maximum kW derate per 300ft. [100m] rise between 4922 and 9800ft. [1500-3000m])
Relative Humidity	0 to 95% Non-Condensing
Operating Temperature	32-104°F (0-40°C) No Derating
UPS Storage/Transport Temperature	-4 to 158°F (-20 to 70°C)

Table 8.2 UPS Mechanical Characteristics

Rated Power, kVA	50 - 200	250
Dimensions W x D x H, in (mm)	23-5/8 x 39-3/8 x 78-3/4 (600 x 1000 x 2000)	33 x 39-3/8 x 78-3/4 (840 x 1000 x 2000)
Color	RAL 7021 (Black)	RAL 7021 (Black)
Protection Degree IEC (60529)	IP20	IP20

Table 8.3 UPS Weight

UPS Rating, kVA	Unit Weight, lb. (kg)	
	200kVA Frame	250kVA Frame
50	748 (339)	868 (394)
100	842 (382)	962 (436)
150	936 (425)	1056 (479)
200	1030 (467)	1150 (522)
250	—	1244 (564)

8.3 UPS Electrical Characteristics

Refer to additional circuit breaker notes in [Accessory Fuses and Back-Feed Breaker Wiring](#) on page 26.

NOTE: The breakers and cables used must be in accordance with NEC ANSI/NFPA 70. A disconnect breaker must be provided for AC input, DC input and AC output. Recommended cable sizes are suitable for operation at a maximum temperature of 104°F (40°C).

Table 8.4 UPS Currents and Terminals—Input, Single-Input Unit, 480V Operation

Unit Rating	Nominal Input Current	Maximum Input Current	OCP Device Rating	Bolt Size	75°C Wire Current, Total	Copper Wire	Aluminum Wire
50	63	71	90	M12	100	(1) #3	(1) #1
100	126	143	175	M12	175	(1) 2/0	(1) 4/0
150	189	215	300	M12	300	(2) 1/0	(2) 3/0
200	252	286	350	M12	350	(2) 2/0	(2) 4/0
250	315	358	450	M12	460	(2) 4/0	(2) 300

Wire sized for operation at 40°C.

Table 8.5 UPS Currents and Terminals—Input, Dual-Input Unit, 480V Operation

Unit Rating	Nominal Input Current	Maximum Input Current	OCP Device Rating	Bolt Size	75°C Wire Current, Total	Copper Wire	Aluminum Wire
50	63	71	90	M12	100	(1) #3	(1) #1
100	126	143	175	M12	175	(1) 2/0	(1) 4/0
150	189	215	300	M12	300	(2) 1/0	(2) 3/0
200	252	286	350	M12	350	(2) 2/0	(2) 4/0
250	315	358	450	M12	460	(2) 4/0	(2) 300

Wire sized for operation at 40°C.

Table 8.6 UPS Currents and Terminals—Bypass, Dual-Input Unit, 480V Operation

Unit Rating	Nominal Input Current	Maximum Input Current	OCP Device Rating	Bolt Size	75°C Wire Current, Total	Copper Wire	Aluminum Wire
50	60	60	80	M12	85	(1) #4	(1) #2
100	120	120	150	M12	150	(1) 1/0	(1) 3/0
150	180	180	225	M12	230	(1) 4/0	(2) 1/0
200	241	241	300	M12	350	(2) 2/0	(2) 3/0
250	301	301	400	M12	460	(2) 4/0	(2) 250

Wire sized for operation at 40°C.

Table 8.7 UPS Currents and Terminals—Output

Unit Rating	Nominal Input Current	Maximum Input Current	OCP Device Rating	Bolt Size	75°C Wire Current, Total	Copper Wire	Aluminum Wire
50	60	60	80	M12	85	(1) #4	(1) #2
100	120	120	150	M12	150	(1) 1/0	(1) 3/0
150	180	180	225	M12	230	(1) 4/0	(2) 1/0
200	241	241	300	M12	350	(2) 2/0	(2) 3/0
250	301	301	400	M12	460	(2) 4/0	(2) 250

Wire sized for operation at 40°C.

Table 8.8 UPS Currents and Terminals—DC Input

Unit Rating	Maximum Input Current	OCP Device Rating	Bolt Size	75°C Wire Current, Total	Copper Wire
50	145	150	M12	230	(1) 4/0
100	290	300	M12	460	(2) 3/0
150	435	450	M12	690	(3) 3/0
200	581	600	M12	765	(3) 250
250	726	800	M12	930	(3) 350

Wire sized for operation at 40°C.

NOTE: A Vertiv™ Liebert® BIB is required for shunt trip of the customer-supplied breaker for the external DC source. Refer to SL-25656, available at Vertiv's Web site, www.vertiv.com, for details.

Table 8.9 Rectifier Input

Parameter	50-250kVA
AC Input Parameters	60Hz, 3-Phase, 3-Wire Plus Ground
Rated AC Voltage	480
Input Voltage Range, Startup/Operating	408-528VAC
Input Voltage Range, Operating *	288-408VAC
Frequency	60Hz (40-70Hz Range)
Power Factor	0.99 Full Load, 0.98 Half Load

Table 8.9 Rectifier Input (continued)

Parameter	50-250kVA
UPS Capacities (kVA)	50/100/150/200/250
THDi	5% Full Load
* Derated operation for reduced input voltage: 480V Operation (288-408VAC). Contact factory for detailed information about derated operation.	

Table 8.10 Battery DC Intermediate Circuit

Parameter	50-250kVA
Battery Bus Voltage	432
Number of Lead-Acid Cells	216 = (36 x 6 cell [12V] blocks), nominal
Float Voltage	2.25V/cell, selectable from 2.2 - 2.3V/cell
Temperature Compensation	-3.0mV/°C, selectable from 0 to -5.0mV/°C around 77°F (25°C) or 86°F (30°C) or inhibit
Ripple Voltage	≤1%
Ripple Current	≤5%
Equalize Charge Voltage	2.35 V/cell (selectable from 2.30-2.40V/cell)
Equalize Charge Control	<ul style="list-style-type: none"> Float-equalize current trigger 0.050 C10 (selectable 0.030-0.070) Equalize-float current trigger 0.010 C10 (selectable 0.005-0.025) 24 hr safety time-out (selectable 8-30 hr) Equalize charge mode inhibit also selectable
End of Discharge	1.63 V/cell for lower EOD timer. (10-45 minutes, 15 default) 1.75 V/cell for upper EOD timer. (46-180 minutes, 60 default)
Battery Charge Operation	Constant current and constant voltage charge mode Programmable auto trigger or inhibit of equalize mode
Battery Charging Power * Maximum Current	UPS (kVA) 50-250 Battery Charging Power, kW: 5.5kW per 50kVA power module Maximum Charging Current, A: 10A per 50kVA power module
* Battery charger power and current are both proportionately reduced for derated UPS models.	

Table 8.11 Inverter Output to Critical Load

Parameter	50-250kVA
Rated AC Voltage	480V, 60Hz, 3-Phase, 3-Wire Plus Ground
Frequency	60
Overload Capacity	105% - 110% of full load for 60 minutes at 104°F (40°C) ambient 110% - 125% of full load for 10 minutes at 104°F (40°C) ambient 125% - 150% of full load for 60 seconds at 104°F (40°C) ambient >150% of full load for a minimum of 200 milliseconds at 104°F (40°C) ambient
Non-Linear Load Capability	100%
Steady State Voltage Stability	±1% (balanced load)
Voltage Regulation	±1% for balanced load ±2% for 100% unbalanced load
Phase Balance	120° ±1° for balanced load 120° ±1.5° for 100% unbalanced load
THDv	<2% (0-100% linear load)

Table 8.11 Inverter Output to Critical Load (continued)

Parameter	50-250kVA
	<5% (0-100% non-linear load)
Sync Frequency Range	Rated frequency \pm 2Hz (selectable \pm 0.5 to \pm 3Hz)
Frequency Slew Rate	0.1-3Hz
Frequency Regulation	Less than \pm 0.25%
Voltage Adjustment Range	\pm 5%
Fault Clearing Capability: Provides three times rated current for up to 200 ms to clear a UPS output fault (50-250kVA).	

Table 8.12 Bypass Input

Parameter	50-250kVA
Rated AC Voltage	480V, 60Hz, 3-Phase, 3-Wire Plus Ground
Rated Current, A: 480V	See Table 8.6 on page 77 .
Overload	150% load, long term
Upstream Protection, Bypass Line	Thermomagnetic Circuit-Breaker, rated up to 125% of nominal output current
Frequency, Hz	60
Transfer Time Between Bypass and Inverter, ms	Uninterrupted Transfer: <1ms Interrupted Transfer: <20ms (40,60,80,100, can be selected)
Bypass Voltage Tolerance, %VAC	+10%, -10% or -15%
Bypass Frequency Tolerance, %	\pm 10% or \pm 20%; default: \pm 10%
Synchronization Window	\pm 0.5, 1,2,3Hz 10% of rated frequency Default Value: \pm 2Hz

Table 8.13 Bypass Maximum 10 Cycle Current

Capacity, kVA	10 Cycle Current, A
50-200	1800
250	2400

Table 8.14 AC/AC Efficiency, Loss and Air Exchange

AC/AC Efficiency	Data
Normal Mode (dual conversion), %	96.5% Maximum
Inverter Efficiency (DC/AC) (Battery at nominal voltage 432 VDC and full-rated linear load)	
UPS Capacities, kVA	50/100/150/200/250
Rated Power, kVA	50-250
Battery Mode, %	95% Maximum

Table 8.15 Heat Losses and Air Exchange

Rated Power, kVA	50	100	150	200	250
Normal Mode, kW	50	100	150	200	250
No Load, kW	0.34	0.6	0.87	1.26	1.49
Maximum Forced-Air Cooling	382 (649)	763 (1296)	917 (1558)	1318 (2273)	1667 (2832)
Heat Dissipation	7854 (2.30)	13851 (4.06)	18019 (5.28)	25491 (7.47)	34627 (10.15)
Efficiency	—	—	96.48%	—	—

Table 8.16 Recommended Lug Sizes (Compression Type) M12, 1/2" Bolt

Cable Size	T&B Copper Two-Hole	T&B Aluminum Two-Hole
#6AWG	256-030695-868	—
#4AWG	256-030695-733	—
#2-3AWG	54811BE	—
#1AWG	54857BE	—
#1/0AWG	256-30695-593	—
#2/0AWG	54862BE	60238
#3/0AWG	54864BE	60244
#4/0AWG	54866BE	60250
250kcmil	54868BE	60256
300kcmil	54870BE	60262
350kcmil	54872BE	60267
400kcmil	54874BE	60269
500kcmil	54876BE	60273
600kcmil	54878BE	60275
700kcmil	54879BE	60277
750kcmil	54880BE	60278

9 Maintenance

9.1 Safety Precautions

Observe the safety precautions in [Important and Safety Instruction](#) on page 1.

Only properly trained and qualified personnel should perform maintenance on the UPS system.

Observe all of the warnings and cautions below before performing any maintenance on the UPS system and associated equipment. Also observe the manufacturer's safety precautions pertaining to the battery, along with the battery safety precautions in this document



WARNING! Risk of electrical shock and arc flash. Can cause property damage, injury and death.

Only Vertiv or Vertiv-trained service personnel should work on this equipment. Both AC and DC high voltages are present in lethal amounts within this equipment. Extreme care should be taken when working around UPS equipment.

Always identify the source of connecting wiring prior to disconnecting. Mark any disconnected wires, so they can be properly reconnected.

Do not substitute parts except as authorized by Vertiv.

Maintain the UPS cabinets free of foreign materials such as solder, wire cuttings, etc.

Call Vertiv Services if you are not sure of the procedures to follow or if you are not familiar with the design or operation of the equipment.



AVERTISSEMENT! Risque d'arc ou de décharge électrique pouvant entraîner des dommages matériels, des blessures et même la mort.

L'entretien et la réparation de cet équipement doivent être confiés exclusivement à un personnel qualifié de Vertiv ou formé par Vertiv. Des hautes tensions c.a. et c.c. mortelles sont présentes dans cet équipement.

Faites preuve d'une grande prudence lorsque vous travaillez à proximité d'un système ASC.

Identifiez toujours la source d'un câble de raccordement avant de le débrancher. Identifiez les câbles déconnectés afin de pouvoir les reconnecter correctement.

Ne remplacez aucun composant sans l'autorisation expresse de Vertiv.

Assurez-vous que les armoires d'ASC sont exemptes de matériaux étrangers tels que des résidus de soudure, des bouts de câble, etc.

Communiquez avec Vertiv Services si vous doutez de la procédure à suivre ou si la conception ou le fonctionnement de l'équipement ne vous sont pas familiers.



WARNING! Risk of electrical shock and arc flash. Can cause property damage, injury and death.

Extreme caution is required when performing maintenance.

Be constantly aware that the UPS system contains high DC as well as AC voltages. With input power Off and the optional battery cabinet disconnected, high voltage at filter capacitors and power circuits should be discharged within 30 seconds. However, if a power circuit failure has occurred, you should assume that high voltage still exists after shutdown. Check with a voltmeter before making contact.

AC voltage will remain on the bypass and output contactors and the static bypass switch, unless the associated external circuit breakers are opened.

Check for voltage with both AC and DC voltmeters before making contact.

When the UPS system is under power, both the operator and any test equipment must be isolated from direct contact with earth ground and the UPS chassis frame by using rubber mats.

Some components within the cabinets are not connected to chassis ground.

Any contact between floating circuits and the chassis is a lethal shock hazard. Use differential oscilloscopes when measuring a floating circuit. The differential input should have at least 800vrms common mode input rating and a common mode rejection ratio of at least 80 dB.

Exercise caution that the test instrument exterior does not make contact either physically or electrically with earth ground.

In case of fire involving electrical equipment, use only carbon dioxide fire extinguishers, or others approved for use in electrical fire fighting.



AVERTISSEMENT! Risque d'arc ou de décharge électrique pouvant entraîner des dommages matériels, des blessures et même la mort.

Les opérations d'entretien requièrent une extrême prudence.

Soyez toujours conscient du fait que le système ASC contient des tensions c.c. et c.a. élevées. Une fois l'alimentation d'entrée et du boîtier facultatif de batteries coupées, la haute tension aux condensateurs de filtrage et aux circuits d'alimentation devrait se dissiper en moins de 30 secondes. En cas de défaillance d'un circuit d'alimentation, toutefois, il importe de présumer qu'une tension élevée est présente même après l'arrêt. Vérifiez toujours les tensions avec un voltmètre avant d'établir des contacts.

Les contacteurs de dérivation et de sortie, de même que le commutateur statique de dérivation, continueront d'afficher une tension c.a. à moins que les disjoncteurs externes associés ne soient ouverts.

Vérifiez les tensions avec des voltmètres c.a. et c.c. avant d'établir tout contact.

Lorsque le système ASC est sous tension, les responsables de l'entretien et l'équipement d'essai doivent reposer sur des tapis de caoutchouc pour prévenir tout contact direct avec le sol et avec le châssis du système lors des interventions.

Certains composants à l'intérieur des armoires ne sont pas connectés à la masse du châssis.

Tout contact entre les circuits flottants et le châssis présente un risque de décharge mortelle. Utilisez des oscilloscopes différentiels lors des mesures d'un circuit flottant. L'entrée différentielle devrait être d'au moins 800 Vrms en mode commun et avoir un taux de réjection de mode commun d'au moins 80 dB.

Il importe de veiller à ce que l'extérieur des équipements d'essai n'entre pas en contact physique ou électrique avec le sol.

En cas d'incendie associé à du matériel électrique, n'utilisez que des extincteurs à dioxyde de carbone ou homologués pour la lutte contre les incendies d'origine électrique.

9.2 Limited Life Components

The Vertiv™ Liebert® EXM UPS has a design life well in excess of 10 years. Well-maintained units can continue to provide economic benefits for 20 years or more. Long-life components are used in the UPS wherever practical and cost effective. However, due to the currently available component material, manufacturing technology limitations and the general function and use of the component, a few components in your Liebert® UPS will have a shorter life cycle and require replacement in less than 10 years.

The following components utilized in your UPS system have a limited life cycle and are specifically exempt from warranty. To prevent a wear-out failure of one of these components affecting your critical load operations, Vertiv recommends these components be periodically inspected and replaced before the expected expiration of their life cycle. The expected life of each component listed below is simply an estimate and is not a guarantee. Individual users may have site-specific requirements, maintenance and other environmental conditions that affect the length of the component's useful life cycle.

Table 9.1 Component Service Life

Component	Expected Life	Replace in:
Component	Expected Life	Replace in:
Air filters	5 years	Check four times per year
Power Modules & Static Bypass Assembly	20 years	18 years
Frame Fans	10 years	8 years

NOTE: Component Expected Life requires ambient temperature conditions <25° C. If temperature conditions are higher, expected life will be shorter.

In most cases, replacement components must exactly match the original component specifications. These replacement components are not readily available from third-party component distributors. For assistance with your specific component specifications, replacement component selection and sourcing, call 1-800-LIEBERT. For customers using Vertiv Services' preventive maintenance services, periodic inspection of these components is part of this service, as well as recommending component replacement intervals to customers to avoid unanticipated interruptions in critical load operations.

9.3 Routine Maintenance

Become thoroughly familiar with the equipment, but at no time go beyond the specific procedures in this manual while performing maintenance or correcting a malfunction. If you have any doubt as to what must be done, call Vertiv Services at 800-543-2378 for further instructions. The UPS is designed for unattended operation, but does require some common sense maintenance.

- Keep good records—Troubleshooting is easier if you maintain historical service records.
- Keep the UPS free of dust and any moisture.
- Keep the UPS cool:
 - Battery systems must be kept in the range of 72-77°F (22-25°C) in order to meet design specifications for capacity and longevity.
 - The UPS will reliably meet all performance specifications at temperatures up to 104°F (40°C), and can be slightly derated for operation at even higher temperatures. However, performance and longevity will be optimized when the UPS is operated at the same temperature as the batteries.
- Keep connections tight.
- Tighten all connections at installation and at least annually thereafter. (See [Torque Requirements](#) on page 86).

9.3.1 Record Log

Set up a maintenance log to record scheduled checks and any abnormal conditions.

The log should have space for all metered data including phase readings, alarm messages, UPS mode of operation, air filter replacement date and observation notes. A second log should be maintained for the battery module as directed by the battery manufacturer.

Vertiv recommends a periodic walk-through inspection of the UPS and battery rooms to check for visible and audible indications of problems. Log the inspection, metered parameter indications and any discrepancies.

9.3.2 Air Filters

The air filters must be inspected and serviced on a regular schedule. The period between inspections will depend upon environmental conditions. Under normal conditions, the air filters will require cleaning or replacement approximately every two months.

All Vertiv™ Liebert® EXM models have replaceable filter elements behind the grille in the front of the unit. This element can be changed with the UPS operating by opening the outer door. The Liebert® EXM's air filters are washable and reusable. One set of air filters is shipped with each Liebert® EXM.

Abnormal or dusty conditions will require more frequent cleaning and replacement of air filters. Inspect installations in new buildings more often, then extend the inspection period as experience dictates.

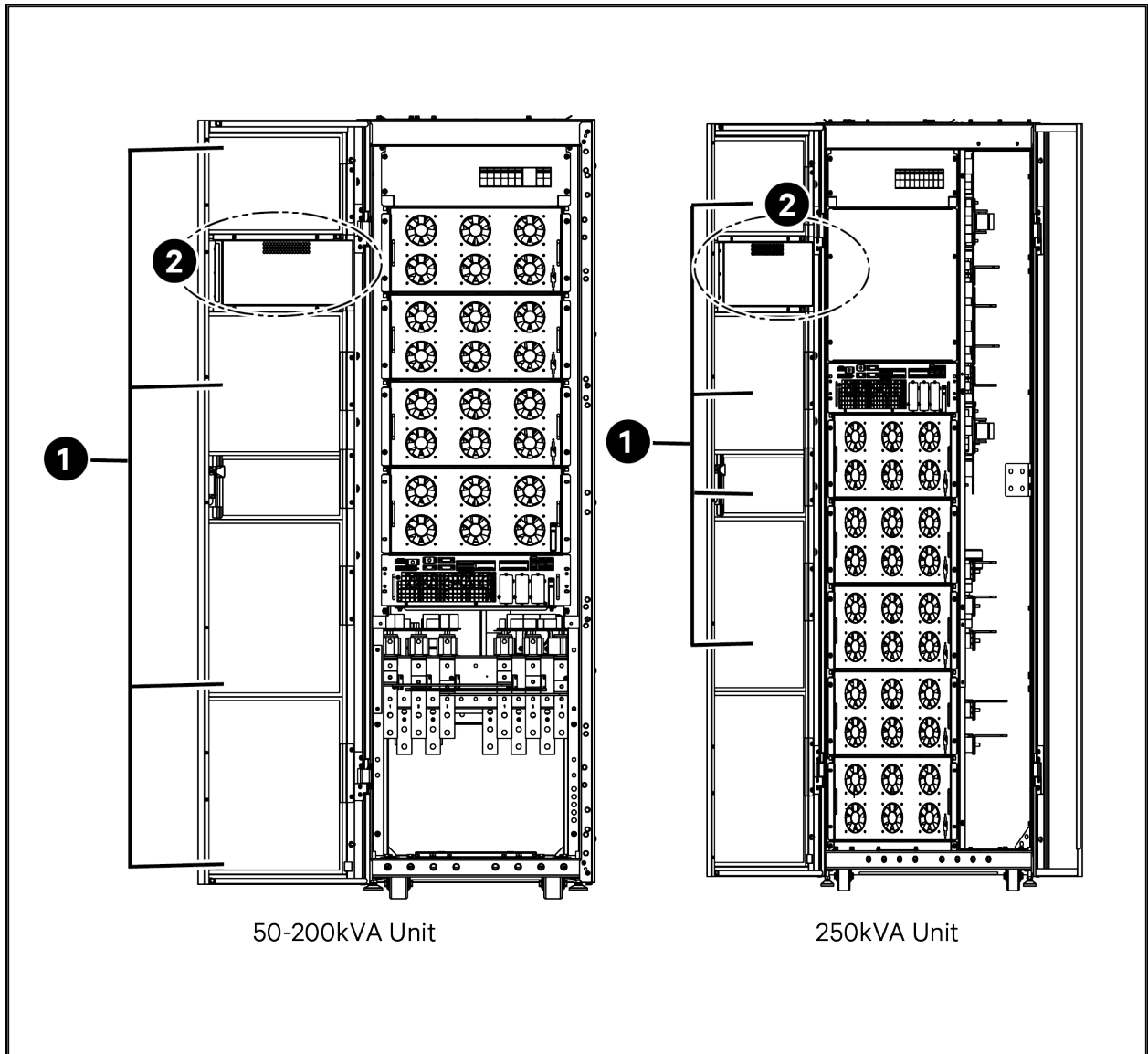
Replacing Air Filters

Installing the two air filter sizes in a Liebert® EXM requires only a Phillips screwdriver. Each filter is held in place by a bracket on either side of each filter. Refer to [Air Filters](#) above for details about filter maintenance.

To replace a filter:

1. Open the *UPS front door* and locate the filters on the back side of the front door (see **Figure 9.1** on the facing page).
2. Remove *one bracket* and loosen the screw on the second bracket. The second bracket need not be removed.
3. Remove the *dust filter* to be replaced.
4. Insert the *clean filter*.
5. Reinstall the *bracket*, tightening the screw securely.
6. Tighten the *screw* on the second bracket.

Figure 9.1 Air Filter Replacement



Item	Description
1	Replaceable Air Filters
2	Control Panel

9.3.3 Torque Requirements

All electrical connections must be tight.

Table 9.2 below and **Table 9.3** below provide the torque values for the connections in the UPS and batteries. Use these values unless the equipment is labeled otherwise.

Table 9.2 Busbars (For Power Wiring)

Bolt Shaft Size	Torque lb-in (Nm)
1/2" (M12)	428 (48)

Table 9.3 Terminal Block with Compression Lugs (For Control Wiring)

AWG Wire Size or Range	Torque lb-in (Nm)
#22 - #14	3.5 to 5.3 (0.4 to 0.6)

9.4 Detecting Trouble

It is important that the operator check the instrument readings if abnormal equipment performance is suspected. Any metered value that differs appreciably from normal could mean an impending malfunction, and should be investigated.

Items to check on the various UPS display screens include:

1. Output voltage of all phases should be within 2% of normal voltage. Output currents on each phase should not normally differ by more than 20%. If a greater difference is noted, the load is unbalanced and corrective action should be taken to redistribute the load, if possible.
2. If the UPS has not operated on battery power during the last 10 hours, the batteries should require little charging current. Battery mimic should indicate normal DC voltage with relatively little battery charge current.
3. Input current on each phase should be within 10% of the average input current. Alarm messages indicate malfunction or impending malfunction. A daily check of the Operator Control Panel will help to provide an early detection of problems. Refer to [UPS Status Messages](#) on page 91 to interpret alarm messages.
4. Tracing a problem to a particular section is facilitated by alarm messages and the metered parameter indications. These are stored in the Status Reports and can be displayed at the Operator Control Panel or at an optional terminal.

NOTE: If the UPS system has a blown fuse, the cause should be determined before you replace the fuse. Contact Vertiv Services.

9.5 Reporting a Problem

If a problem occurs within the UPS, review all alarm messages along with other pertinent data. This information should be given to the Vertiv Services dispatcher. Call 800-543-2378 to report a problem or to request assistance.

9.6 Corrective Actions

Recommended corrective actions for each alarm message on the Operator Control Panel and the Remote Alarm Status Panel may be found in [UPS Status Messages](#) on page 91.

9.7 Recommended Test Equipment

Table 9.4 below lists recommended test equipment and tools required to maintain, troubleshoot and repair the UPS module. Instruments of equivalent range and accuracy may be substituted. All instruments should be calibrated and be within the current calibration cycle. Calibration data for the instruments should be maintained in equipment-history files and the instruments labeled for audit and verification.

Table 9.4 Recommended Test Equipment and Tools

Qty	Test Equipment	Manufacturer	Model or Type
1	Oscilloscope	Tektronix, H-P or Fluke	DC to 50 MHz
2	Voltage Probes	Tektronix, H-P or Fluke	10X, with 10 ft. Cable
2	Voltage Probes	Tektronix, H-P or Fluke	100X, with 10 ft. Cable
1	Digital Multi-Meter	Fluke	8060, with Test Leads
1	Tool Kit	N/A	Standard electrical contractor tools

This page intentionally left blank

Appendices

Appendix A: Hazardous Substances or Elements Announcement

Table A.1 Hazardous Substances or Elements

Part Name	Hazardous Substances					
	Lead (Pb)	Mercury (Hg)	Cadmium (Cd)	Chrome (Cr ⁶⁺)	Polybrominated Biphenyl (PBB)	Polybrominated Diphenyl Ethers (PBDE)
Hex copper stud	X	✓	✓	✓	✓	✓
PCBA	X	✓	✓	✓	✓	✓
AC capacitor	X	✓	✓	✓	✓	✓
DC capacitor	X	✓	✓	✓	✓	✓
Fan	X	✓	✓	✓	✓	✓
Cables	X	✓	✓	✓	✓	✓
LCD	X	X	✓	✓	✓	✓
Sensors	X	✓	✓	✓	✓	✓
Large-medium power magnetic components	X	✓	✓	✓	✓	✓
Circuit breaker/ rotating switch	X	✓	✓	✓	✓	✓
Semiconductors	X	✓	✓	✓	✓	✓
Battery (when applicable)	X	✓	✓	✓	✓	✓
Insulation monitoring device (when applicable)	X	✓	✓	✓	✓	X

✓ - Means the content of the hazardous substances in all the average quality materials of the part is within the limits specified in SJ/T-11363-2006.
 X - Means the content of the hazardous substances in at least one of the average quality materials of the part is outside the limits specified in SJ/T11363-2006.

Vertiv has been committed to the design and manufacturing of environment-friendly products. It will reduce and eventually eliminate the hazardous substances in the products through unremitting efforts in research. However, limited by the current technical level, the following parts still contain hazardous substances due to the lack of reliable substitute or mature solution:

1. All solders in the products contain lead.
2. Copper alloy contains lead.
3. Backlight bulb contains mercury.
4. The ceramic materials of the ceramic capacitor, the copper terminals and copper leads of metallic film capacity contain lead.
5. The glass of resistor contains lead.
6. The glass of LCD contains lead, and the backlight lamp contains mercury.
7. The lead in the battery is determined by the battery feature and technical levels.

8. The insulation monitoring device contains lead and PBDE.

About Environment Protection Period: The Environment Protection Period of the product is marked on the product. Under normal working conditions and normal use of the products observing relevant safety precautions, the hazardous substances in the product will not seriously affect the environment, human safety or property in the Environment Protection Period starting from the manufacturing date.

About Battery: The battery life is dependent on the ambient temperature and charging/ discharging times. The battery life will be shortened if the battery is used under high temperature or in deep discharging status. Refer to the manufacturer's product literature for details.

Appendix B: UPS Status Messages

Table B.1 below shows all event messages as they appear in the current status area of the LCD or the history log, along with a description and recommended actions, if any. For information on the current status area and the history log, refer to the UPS control manual, SL-26200, available at Vertiv's Web site, www.vertiv.com

Table B.1 UPS Status Messages

Event Message	Description / Suggested Action (if any)
Comm. Fail	The CAN communication between internal monitor and rectifier/inverter/bypass fails. Contact Vertiv Services at 800-543-2378 for assistance.
Battery Overtemp	The battery temperature is over the limit. Check the battery temperature and ventilation.
Ambient Overtemp	The Ambient temperature is over limit. Check the ventilation of UPS room.
Replace Battery	Battery should be replaced. Contact Vertiv Services at 800-543-2378 for assistance.
Battery Low Pre-warning	Before the end of discharging, battery undervoltage pre-warning should occur. After this pre-warning, battery should have the capacity for 3 minutes discharging with full load. The time is user configured from 3 to 60 minutes. Shut down the load in time.
Battery End of Discharge	Inverter turned off due to low battery voltage. Check the utility failure and try to fix it.
Input Volt. Abnormal	Mains Voltage exceeds the upper or lower limit and results in rectifier shutdown. Check the input line-to-line voltage amplitude of rectifier.
Input Undervoltage	Mains Voltage is undervoltage (408V). Check the input line-to-line voltage amplitude of rectifier.
Input Freq. Abnormal	Mains frequency is out of limit range and results in rectifier shutdown. Check the rectifier's input voltage frequency.
Rectifier Fault	Rectifier Fault; Contact Vertiv Services at 800-543-2378 for assistance.
Rectifier Overtemp	The temperature of heat sink is too high to keep the rectifier running. The UPS can recover automatically. Check the environment and ventilation.
Charger Fault	The Charger has failed. Contact Vertiv Services at 800-543-2378 for assistance.
Input Fuse Fail	Input fuse is open. Contact Vertiv Services at 800-543-2378 for assistance.
Control Power Fail	Control Power has failed or has been lost. Contact Vertiv Services at 800-543-2378 for assistance.
Input Phase Reversed	Input phase sequence is reversed. Contact Vertiv Services at 800-543-2378 for assistance.
Soft Start Fail	Rectifier could not start due to low DC bus voltage. Contact Vertiv Services at 800-543-2378 for assistance.
Bypass Unable to Trace	This alarm is triggered by an inverter software routine when the amplitude or frequency of bypass voltage is beyond the normal range. The amplitude threshold is fixed for positive and negative 10% rating. This alarm automatically resets once the bypass voltage goes normal. <ol style="list-style-type: none"> 1. First verify that the bypass voltage and frequency displayed on the panel is within the selected range. Note here the rated voltage and frequency are specified by "Output voltage level" and "Output frequency level" respectively. 2. If the displayed voltage is believed to be abnormal, then verify the bypass voltage and frequency presented to the UPS. Check the external supply if it is found to be faulty. Contact Vertiv Services at 800-543-2378 for assistance.
Bypass Abnormal	This alarm is triggered by an inverter software routine when the amplitude or frequency of bypass voltage exceeds the limit.

Table B.1 UPS Status Messages (continued)

Event Message	Description / Suggested Action (if any)
	<p>This alarm automatically resets once the bypass voltage goes normal.</p> <p>First check if there are some relevant alarms such as "Bypass disconnect open" and "Bypass phase reverse." If they appear, solve them first.</p> <ol style="list-style-type: none"> 1. Then verify that the bypass voltage and frequency displayed on the panel is within the bypass limit. Note here the rated voltage and frequency are specified by "Output voltage level" and "Output frequency level" respectively. 2. If the displayed voltage is believed to be abnormal, then verify the bypass voltage and frequency presented to the UPS. Check the external bypass supply if it is found to be faulty. If the utility is likely to trigger this alarm frequently, the bypass limit can be changed a little larger through the configuration software according to the customer's agreement. <p>Contact Vertiv Services at 800-543-2378 for assistance.</p>
Inverter Asynchronous	<p>This alarm is triggered by an inverter software routine when the inverter and bypass waveforms are misaligned by more than 6 degrees in phase. This alarm resets automatically once the condition is no longer true.</p> <ol style="list-style-type: none"> 1. First check if the alarm "Bypass unable to trace" or "Bypass abnormal" occurs. If so, solve it first. 2. Verify the waveform of the bypass voltage. If it is too distorted, ask the customer to verify and seek any possible measurements. <p>Contact Vertiv Services at 800-543-2378 for assistance.</p>
Inverter Fault	<p>This alarm indicates a fault condition exists within the inverter. Contact Vertiv Services at 800-543-2378 for assistance.</p>
Fan Fault	<p>At least one of the cooling fans failed. Contact Vertiv Services at 800-543-2378 for assistance.</p>
Inverter STS (relay) Fail	<p>At least one of the static switches of inverter side is open or short circuit. This fault is locked until power off. Contact Vertiv Services for assistance at 800-543-2378 for assistance.</p>
Bypass STS Fail	<p>At least one of the static switches of bypass side is open or short circuit. This fault is locked until power off. Contact Vertiv Services at 800-543-2378 for assistance.</p>
Output Fuse Fail	<p>At least one of the output fuses is open. Contact Vertiv Services at 800-543-2378 for assistance.</p>
Unit Overload	<p>The UPS is confirmed to be overload when the load arises above 105% nominal rating. The alarm automatically resets once the overload condition is removed.</p> <ol style="list-style-type: none"> 1. Confirm that the alarm is true by checking the load percent indicated on the LCD panel to determine which phase is being overloaded. 2. If the alarm is true, measure the actual output current to verify that the indications are valid. Disconnect unnecessary load and ensure the safety. In a parallel system, a severe load sharing error can also leads to the alarm. <p>Contact Vertiv Services at 800-543-2378 for assistance.</p>
System Overload	<p>The UPS parallel system is confirmed to overload when the total load arises above 105% nominal rating for the set basic number of UPSs. The alarm automatically resets once the overload condition is removed.</p> <ol style="list-style-type: none"> 1. Confirm that the alarm is true by checking the system load percent indicated on the LCD panel to determine which phase is being overloaded. 2. If the alarm is true, measure the actual output current to verify that the indications are valid. Disconnect unnecessary load and ensure the safety. In a parallel system, a severe load sharing error can also leads to the alarm.
Unit Overload Timeout	<p>The UPS is confirmed to overload and the overload times out.</p> <p>NOTE: The highest loaded phase will indicate overload timing-out first.</p> <p>NOTE: When the timer is active, then alarm "unit overload" should also be active as the load is above nominal.</p> <p>NOTE: When the timer has expired, the inverter Static Switch is opened and the load transferred to bypass. The inverter shutdown and will restart after 10 seconds.</p>

Table B.1 UPS Status Messages (continued)

Event Message	Description / Suggested Action (if any)
	<p>NOTE: If the load decreases lower than 95% after 5 minutes, the system will transfer back to inverter mode.</p> <p>Confirm that the alarm is genuine by checking the load percent indicated on the LCD. If an overload is indicated then check the load, and investigate any additional load connected prior to the alarm (if applicable).</p>
Bypass Phase Reversed	<p>The phase sequence direction of bypass voltage is reversed.</p> <p>Normally, the phase of Phase B lags 120 degrees behind Phase A, and the phase of Phase C lags 120 degrees behind Phase B.</p> <p>Verify that the phase rotation of the bypass supply presented to the UPS is correct, and rectify it if it is found to be in error. Contact Vertiv Services at 800-543-2378 for assistance.</p>
Load Impact Transfer	A transfer to bypass occurred due to a large step load. The UPS should recover automatically. Turn on connected equipment in sequential order to reduce the step loading of the inverter.
Transfer Timeout	The load is on bypass power due to excessive number of transfers that occurred within the last hour. The UPS will recover automatically and will transfer the load back to inverter power within an hour.
Load Sharing Fault	UPS working within a parallel system are not sharing load current correctly. Contact Vertiv Services at 800-543-2378 for assistance.
DC Bus Abnormal	Shut off inverter due to abnormal DC bus voltage. Contact Vertiv Services at 800-543-2378 for assistance.
Other Module Xfer	The whole paralleled UPS system transferred to bypass at the same time. The other module requested this module to transfer to bypass because the other module is in overload timeout.
DC Bus Overvoltage	<p>Rectifier, inverter and battery converter were shutdown because DC bus voltage is too high. Check whether there is a fault in rectifier side. If no, then check whether overload occurs.</p> <p>Restart the inverter after resetting the fault. If fault does not clear, contact Vertiv Services at 800-543-2378 for assistance.</p>
LBS Active	The LBS setting is active. The UPS is acting as an LBS leader or follower in a dual bus configuration.
Inverter turned On manually	Manual Turn On via front panel
Inverter turned Off manually	Manual Turn Off via front panel
EPO	Emergency Power Off
Transfer Confirm	Interrupted Transfer Confirm
Transfer Cancel	Interrupted Transfer is cancel
Unit Off Confirm	Unit Turned Off Confirm
System Off Confirm	System Turned Off Confirm
Fault Reset	Fault Reset
Alarm Silence	Alarm Silence
Turn On Fail	Turn On Fail
Alarm Reset	Audible Alarm Reset
Bypass Mode	UPS in Bypass Mode
Normal Mode	UPS in Normal Mode
Battery Mode	UPS in Battery Mode
Output Disabled	UPS Output Disabled
Maint. Disconnect Closed	Maintenance Disconnect Closed

Table B.1 UPS Status Messages (continued)

Event Message	Description / Suggested Action (If any)
Reserved	-
Output Disconnect Open	Output Disconnect Open
Battery Reverse	Connect the battery again and check the wiring of batteries.
No Battery	Check the battery and the wiring of batteries.
Auto start	After UPS was shutdown at EOD, inverter auto starts when utility is restored.
BCB closed	BCB closed from dry contact signal.
BCB open	BCB open from dry contact signal.
Battery Float Charging	Battery is float charging.
Battery Boost Charging	Battery is boost charging.
Battery Discharging	Battery is discharging.
Battery Period Testing	Battery is period self-testing.
Batt. Capacity Testing	Battery is capacity self-testing.
Batt. Maint. Testing	Battery is maintenance self-testing.
Inverter in Setting	Inverter is in parameter setting.
Rectifier in Setting	Rectifier is in parameter setting.
Batt. Converter Fault	Battery converter output voltage beyond limits or battery fuse failed. Battery converter shuts down. Battery backup not available.
Operation Invalid	This record is registered following an incorrect operation.
Byp. Abnormal Shutdown	Both bypass and inverter voltages unavailable. Load interruption.
Battery Room Alarm	Environment in battery room needs attention.
Rec Flash Update	Rectifier firmware is being updated.
Inv Flash Update	Inverter firmware is being updated.
Monitor Flash Update	Monitor firmware is being updated.
LBS abnormal	LBS is abnormal.

Connect with Vertiv on Social Media



<https://www.facebook.com/vertiv/>



<https://www.instagram.com/vertiv/>



<https://www.linkedin.com/company/vertiv/>



<https://www.twitter.com/Vertiv/>



Vertiv.com | Vertiv Headquarters, 1050 Dearborn Drive, Columbus, OH, 43085, USA

© 2021 Vertiv Group Corp. All rights reserved. Vertiv™ and the Vertiv logo are trademarks or registered trademarks of Vertiv Group Corp. All other names and logos referred to are trade names, trademarks or registered trademarks of their respective owners. While every precaution has been taken to ensure accuracy and completeness here, Vertiv Group Corp. assumes no responsibility, and disclaims all liability, for damages resulting from use of this information or for any errors or omissions. Specifications, rebates and other promotional offers are subject to change at Vertiv's sole discretion upon notice.

SL-26102_REV10_11-21