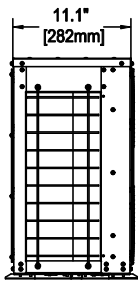
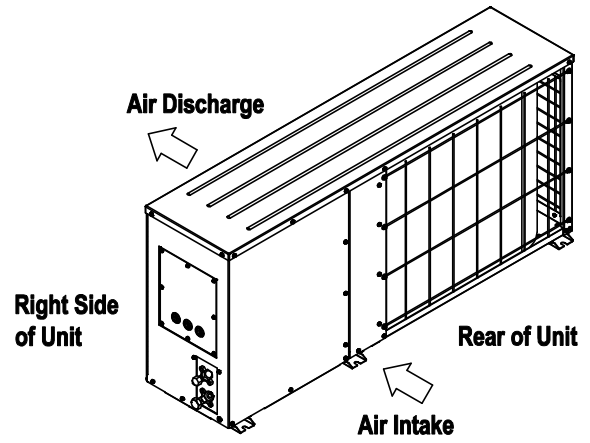
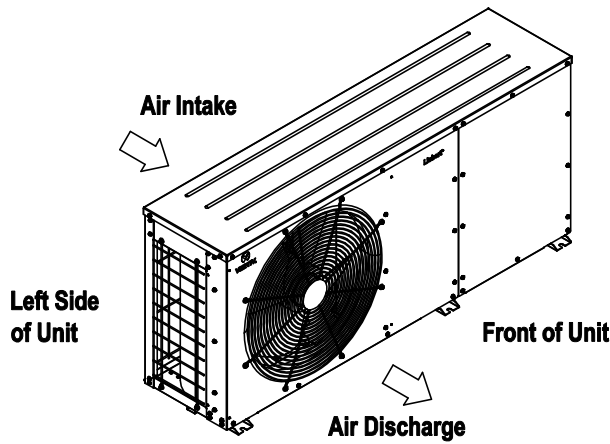
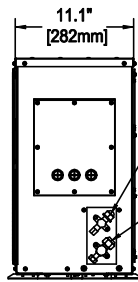


VRC DIMENSIONAL DATA



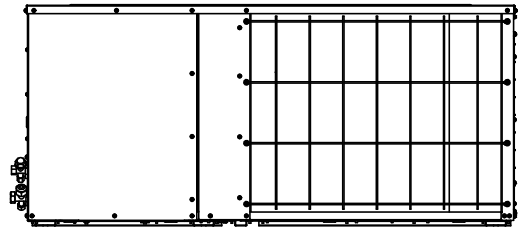
Left Side of Unit



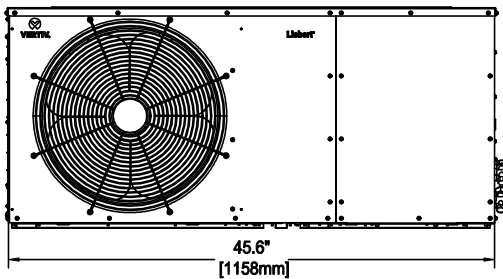
Right Side of Unit

5/8-18UNF
Liquid Refrigerant Line
Service valve

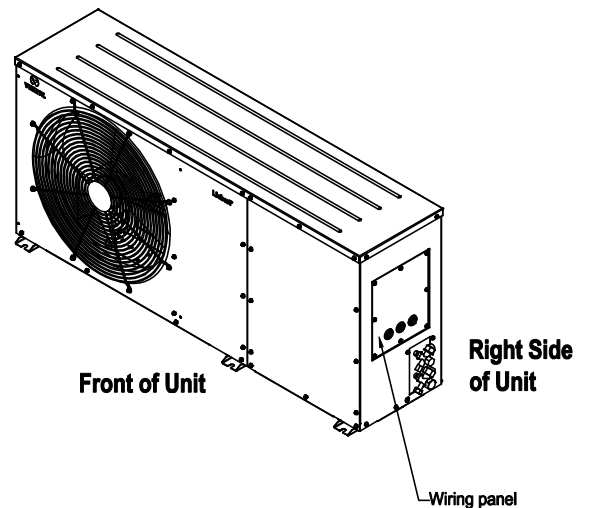
3/4-16UNF
Suction Refrigerant Line
Service valve



Rear Side of Unit

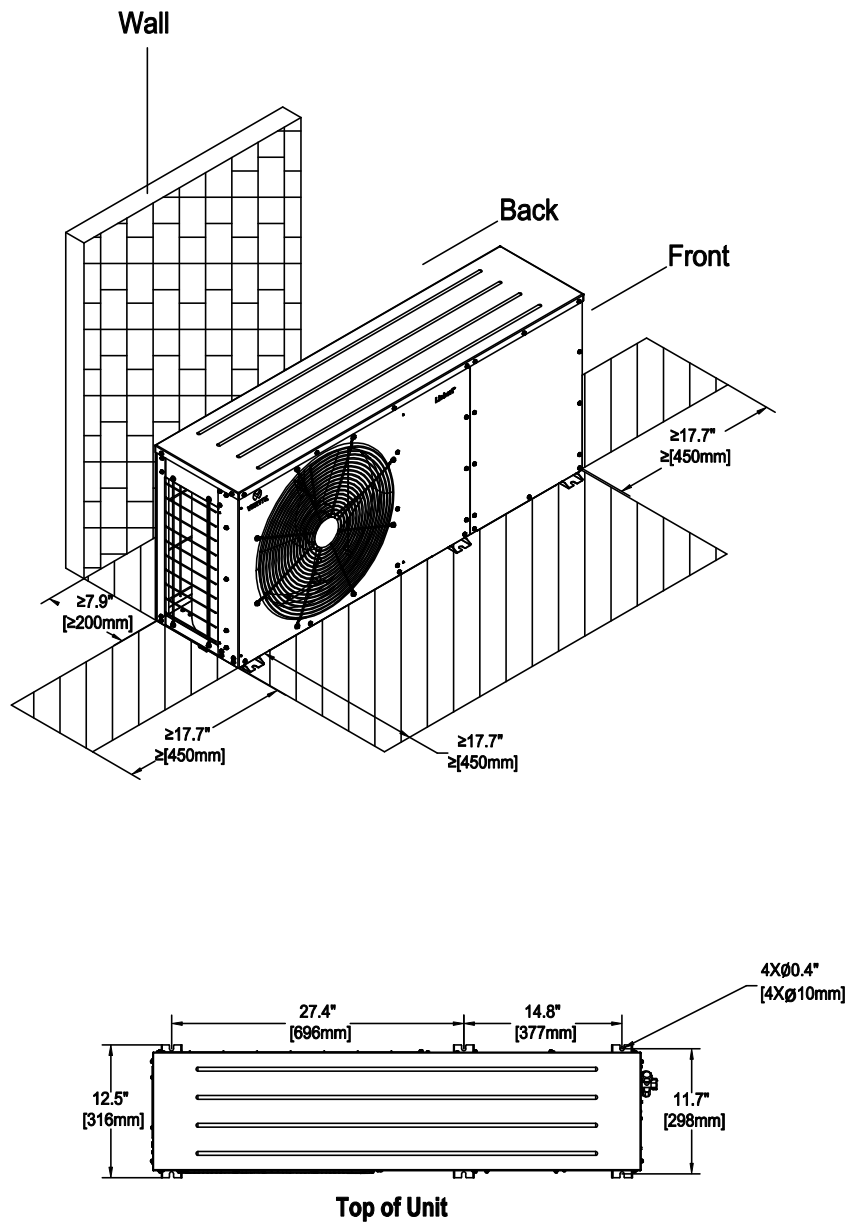


Front of Unit

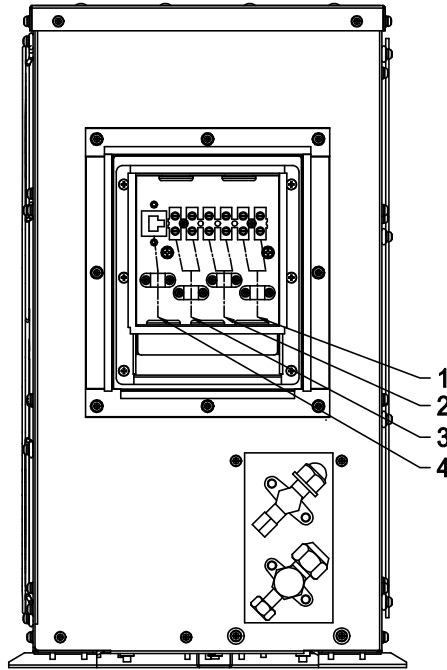


MODEL #	MODULE WEIGHT
60 HZ	lbs. (kg) net
VRC350/351/352	150(68)

CLEARANCE SPACE



ELECTRICAL FIELD CONNECTIONS



Right side of Unit [Panels removed for clarity]

No.	Name	Description
1	Outdoor Fan Power	Outdoor fan power supply from indoor unit
2	LLSV	Liquid Line Solenoid Valve (LLSV) power supply from indoor unit
3	Power Line	Power input
4	Compressor Communication	Compressor communication from indoor unit