

# GEIST™ SWITCHAIR

## AIRFLOW MANAGEMENT DEVICE



### Quick Installation Guide

#### Models:

SA2-004

#### Switch Type:

Front (Port) Air Intake - Rear Exhaust 1U Switches

**CAUTION:** Ensure the required airflow for safe operation of equipment is not compromised when installing the Geist SwitchAir device.

**WARNING:** Take precaution to avoid interference with the switch's input power cords when installing behind a live switch.

### 1. Installing the airflow channels

Using customer-provided hardware, insert the cage nuts into the four holes on the front of the channel.

Select a 2U space in the rack. With the channel facing the centerline of the rack, hold the channel on the inside of the left rack upright. Fasten in place using screws only in the top and bottom holes of the 2U space.

Repeat the procedure to install the airflow channel on the opposite side.

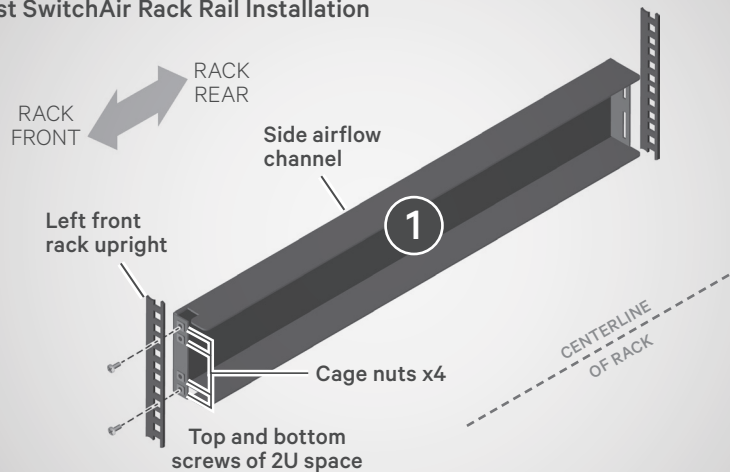
### 2. Installing the switch

Slide the network switch into the bottom 1U at the rear of the rack's 2U space. Using customer-provided cage nuts and screws, mount the switch to the rear rack uprights.

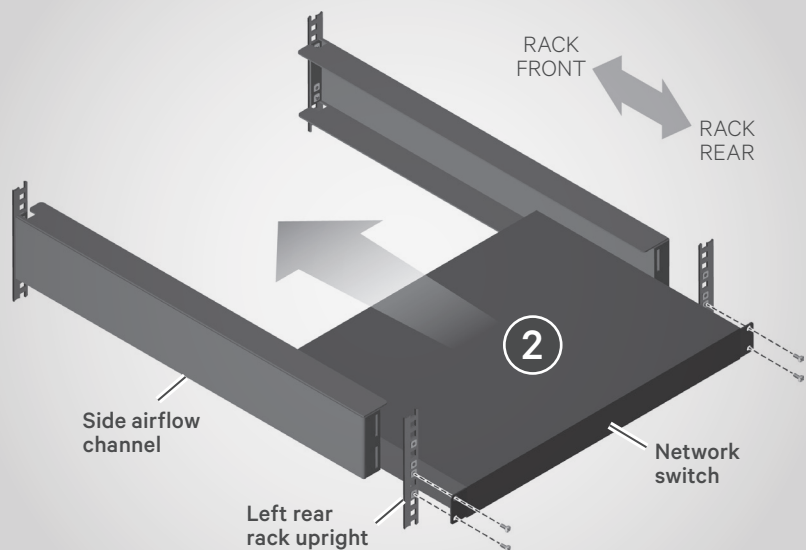
Geist SwitchAir Airflow Management Device

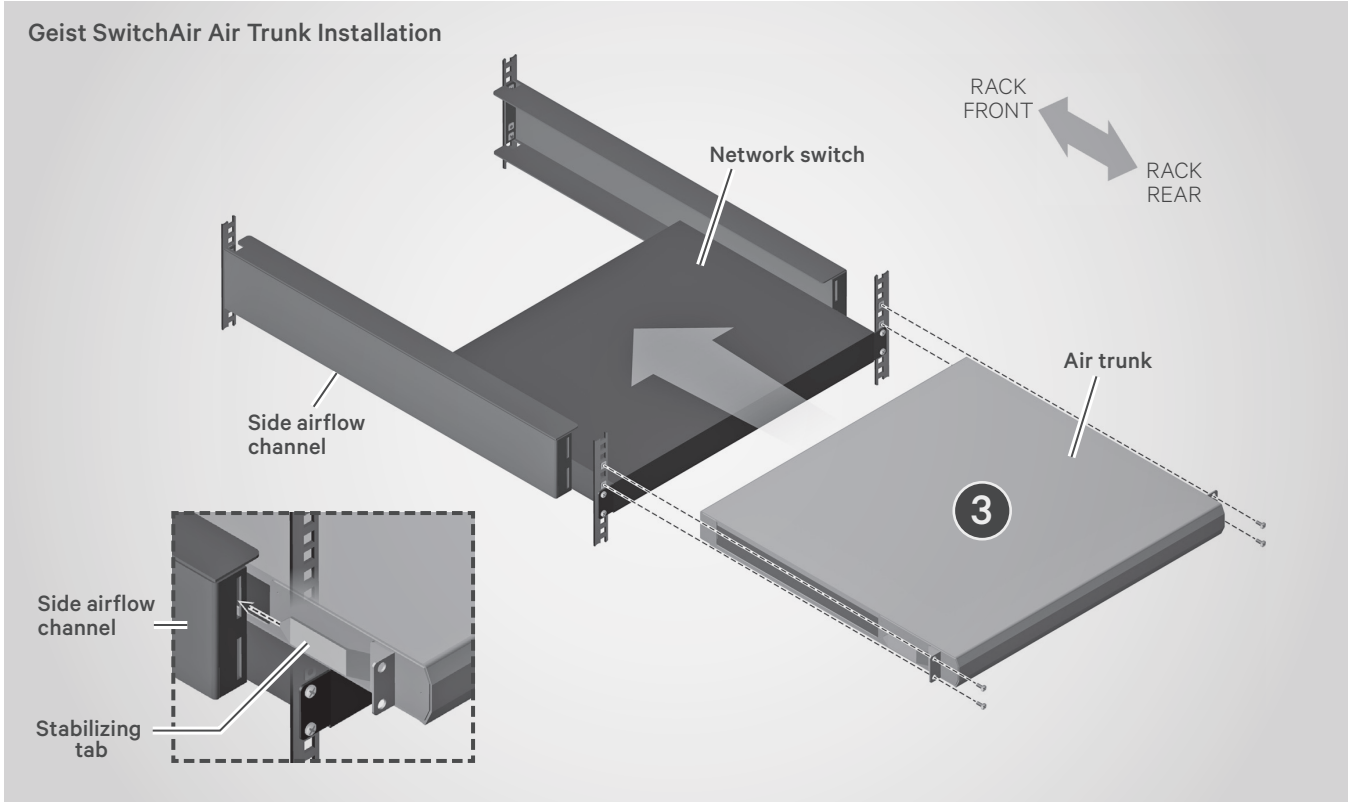


Geist SwitchAir Rack Rail Installation



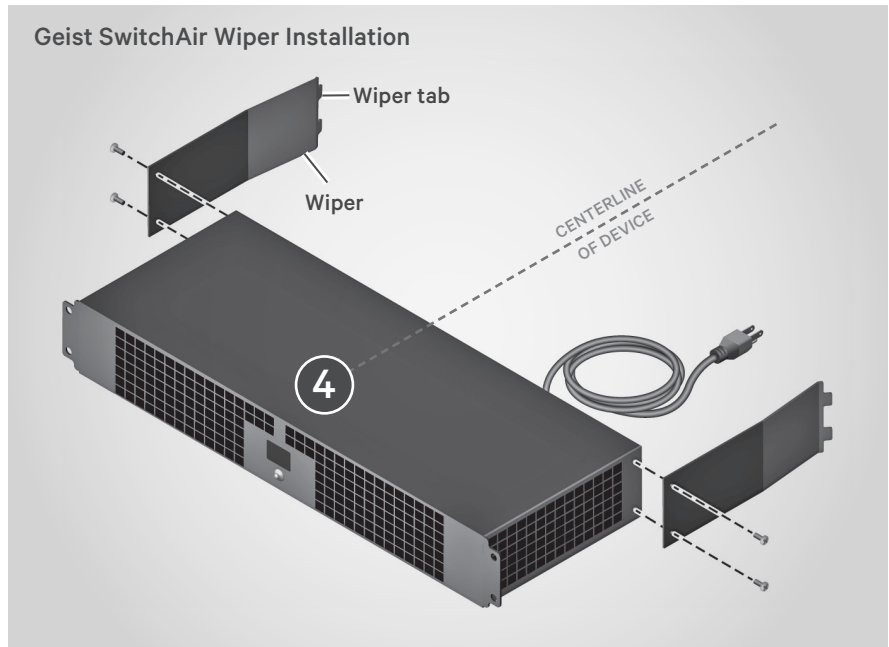
Geist Network Switch Installation



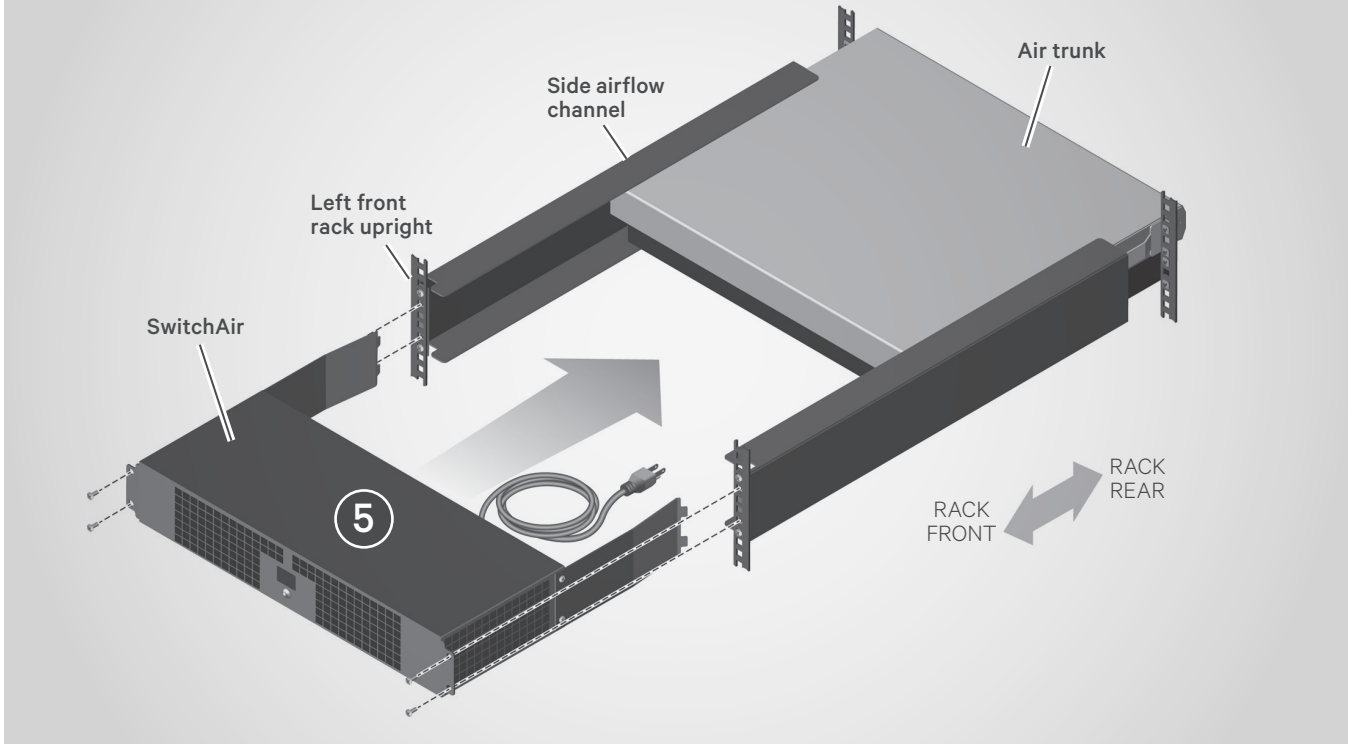


- 3. Installing the air trunk**  
Insert the air trunk between the channels on top of the network switch. Slide the stabilizing tabs into the opening on each channel. Using customer-provided hardware, attach the air trunk to the rack.

- 4. Installing the wipers**  
Orient each SwitchAir wiper with the tab facing away from the centerline of the device. Attach each wiper using the provided screws.



### Geist SwitchAir Unit Installation



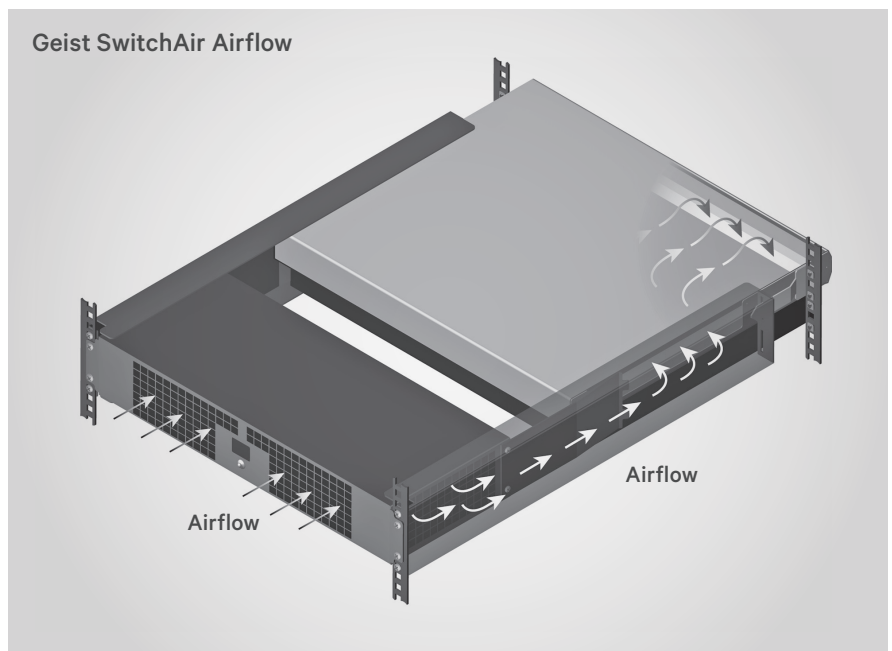
### 5. Installing the SwitchAir device into the rack

**NOTE:** Connect to power before attaching the SwitchAir device to the rack. (The SwitchAir has a standard C14 power inlet. Due to the variety of possible power source outlet types, an appropriate power cord type must be determined and supplied by the customer.)

Insert the SwitchAir device into the open rack space at the same 2U height as the network switch and air trunk.

As the SwitchAir device is inserted into the space, each wiper tab acts as a guide to deflect the wiper past the switch and air trunk's corner and along their sides.

Once the SwitchAir device is fully seated, install the mounting screws to fasten the device to the front rack uprights.





**To contact Vertiv Technical Support: visit [www.VertivCo.com](http://www.VertivCo.com)**

© 2019 Vertiv Co. All rights reserved. Vertiv and the Vertiv logo are trademarks or registered trademarks of Vertiv Co. All other names and logos referred to are trade names, trademarks or registered trademarks of their respective owners. While every precaution has been taken to ensure accuracy and completeness herein, Vertiv Co. assumes no responsibility, and disclaims all liability, for damages resulting from use of this information or for any errors or omissions. Specifications are subject to change without notice.

