

# Vertiv™ Liebert® GXE UPS 6-10 kVA I; 230V IN / OUT, GXE3-6000IRT4UXL / GXE3-10KIRT5UXL



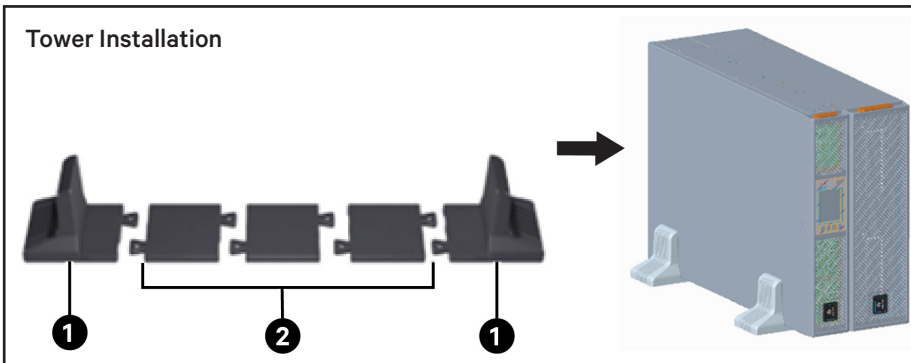
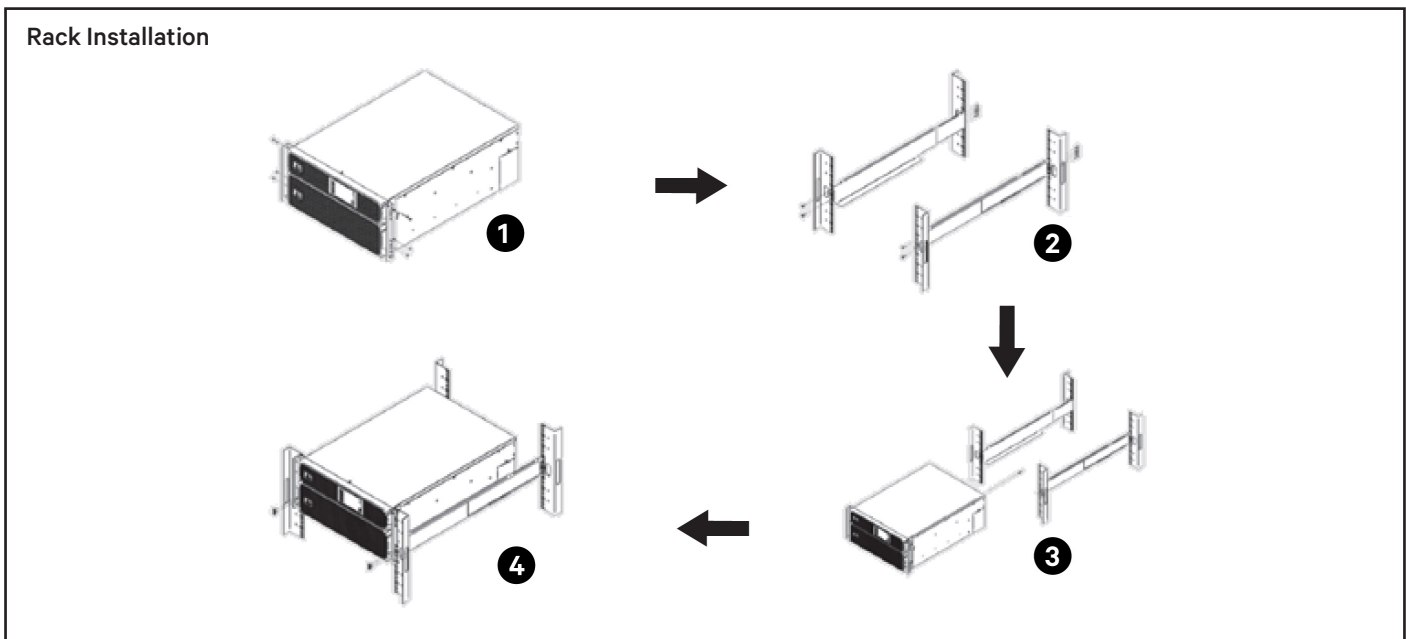
## Quick Installation Guide



Thank you for your recent purchase of a Vertiv UPS! We appreciate your business and are confident that your new product will provide many years of uninterruptible power to your connected equipment. With this purchase, you may also want to consider Vertiv's complete line of racks, PDUs, thermal solutions, KVM switches, and serial consoles. Vertiv also offers a broad array of services and extended warranties. If you require any assistance or support, please don't hesitate to reach out to one of our resellers, local rep firms, or directly to us at 1-800-222-5877 menu option 3, or email at [microups.warranty@vertiv.com](mailto:microups.warranty@vertiv.com). We stand ready to support you. We sincerely hope that you'll continue to select Vertiv for all of your future infrastructure needs!

The Vertiv Team

**IMPORTANT:** Before installing, connecting to supply, or operating your Vertiv™ Liebert® GXE UPS, review the Safety and Regulatory Statements sheet. For detailed installation, operation, maintenance, and troubleshooting information see the Liebert® GXE User Guide for your model available at [www.Vertiv.com](http://www.Vertiv.com).



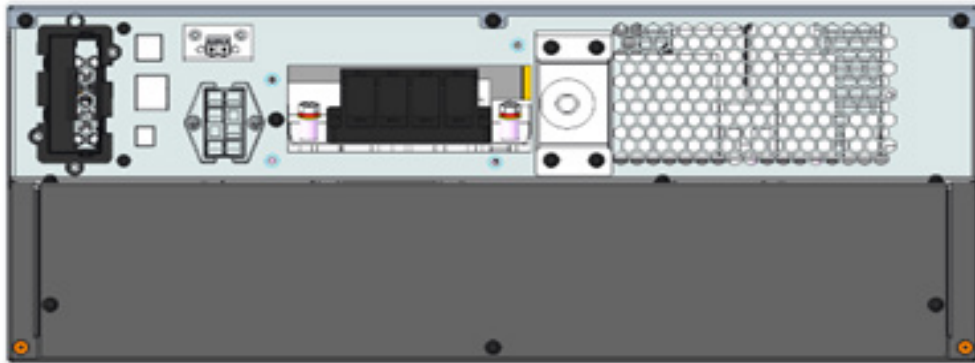
Item No.	Description
1	Support base
2	Spacers

Vertiv™ Liebert® GXE UPS 6-10 kVA I; 230V IN / OUT,  
 GXE3-6000IRT4UXL / GXE3-10KIRT5UXL

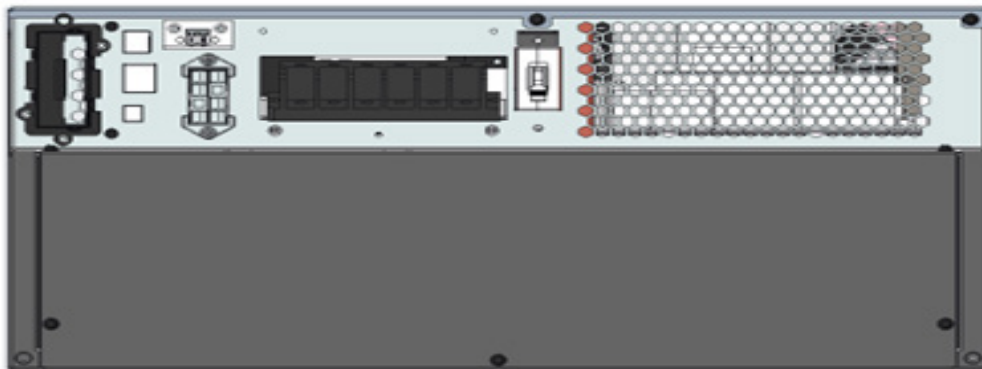


Quick Installation Guide

GXE3-6000IRT4UXL Rear Side View



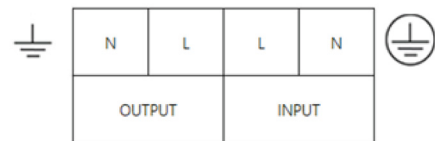
GXE3-10KIRT5UXL Rear Side View



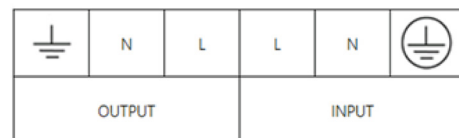
Wiring Details	6 kVA Model	10 kVA Model
Recommended external breaker	40 A	63 A
Recommended wire size (all wires) 75 °C Copper wire required	8 AWG (10 mm <sup>2</sup> )	6 AWG (16 mm <sup>2</sup> )
Maximum wire accepted by terminal block	8 AWG (10 mm <sup>2</sup> )	6 AWG (16 mm <sup>2</sup> )
Terminal block torque	20 in-lb (2.26 Nm)	20 in-lb (2.26 Nm)

Terminal Block Details

GXE3-6000IRT4UXL



GXE3-10KIRT5UXL



To contact Vertiv Technical Support: visit [www.Vertiv.com](http://www.Vertiv.com)

©2022 Vertiv Group Corp. All rights reserved. Vertiv™ and the Vertiv logo are trademarks or registered trademarks of Vertiv Group Corp. All other names and logos referred to are trade names, trademarks or registered trademarks of their respective owners. While every precaution has been taken to ensure accuracy and completeness here, Vertiv Group Corp. assumes no responsibility, and disclaims all liability, for damages resulting from use of this information or for any errors or omissions. Specifications, rebates and other promotional offers are subject to change at Vertiv's sole discretion upon notice.

